

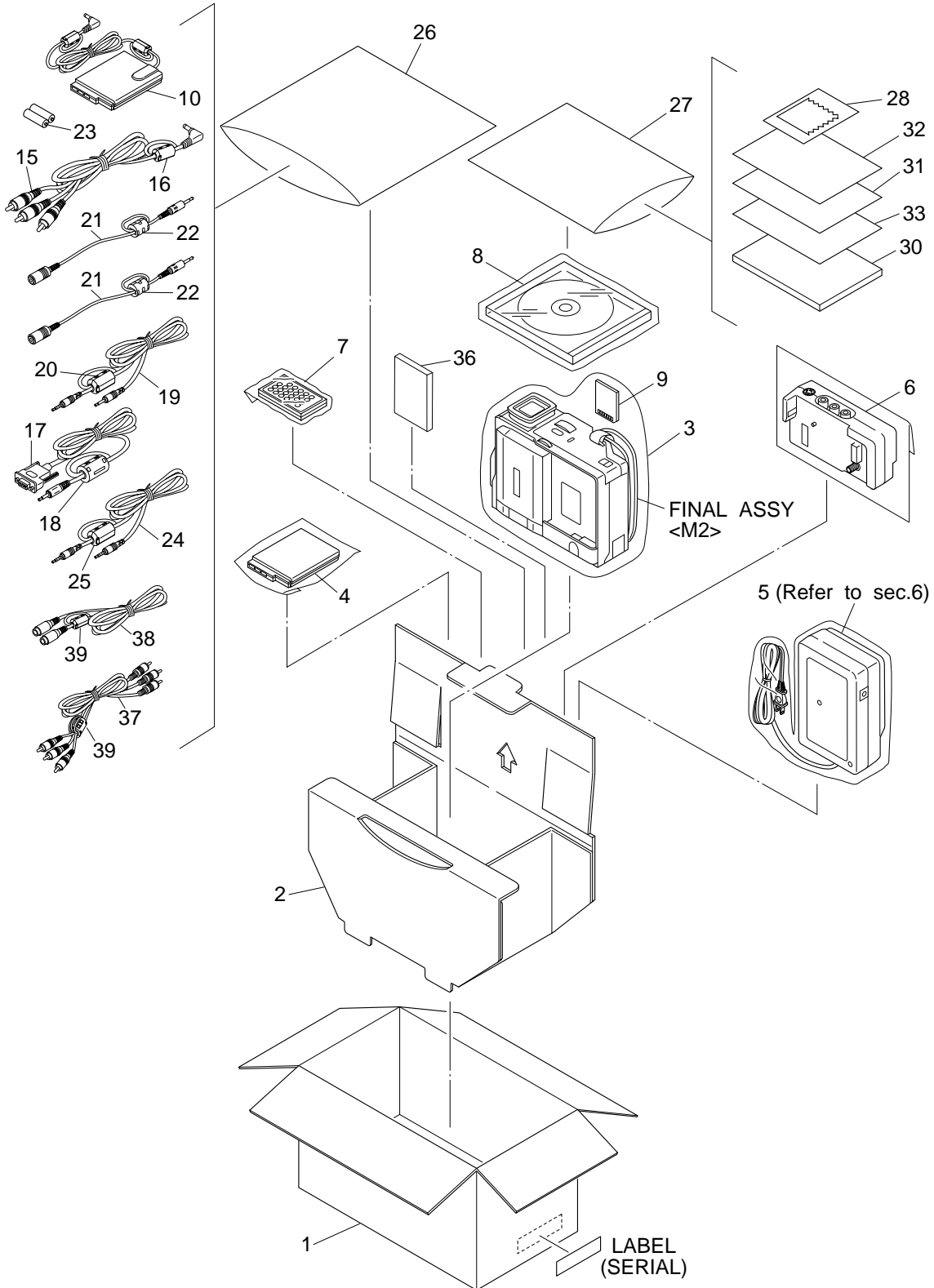
SECTION 5 PARTS LIST

SAFETY PRECAUTION

Parts identified by the  symbol are critical for safety. Replace only with specified part numbers.

5.1 PACKING AND ACCESSORY ASSEMBLY <M1>

The instruction manual to be provided with this product will differ according to the destination.

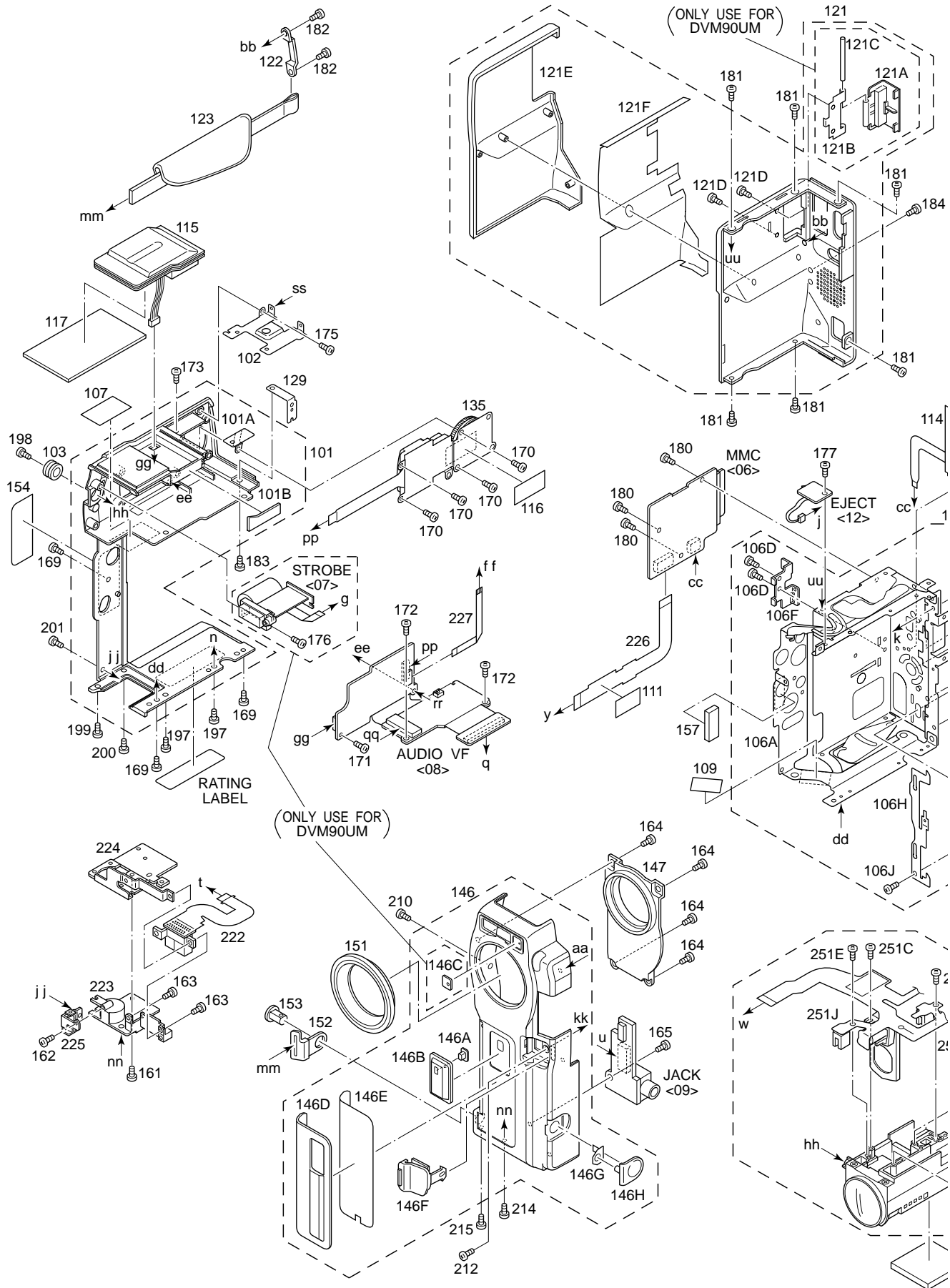


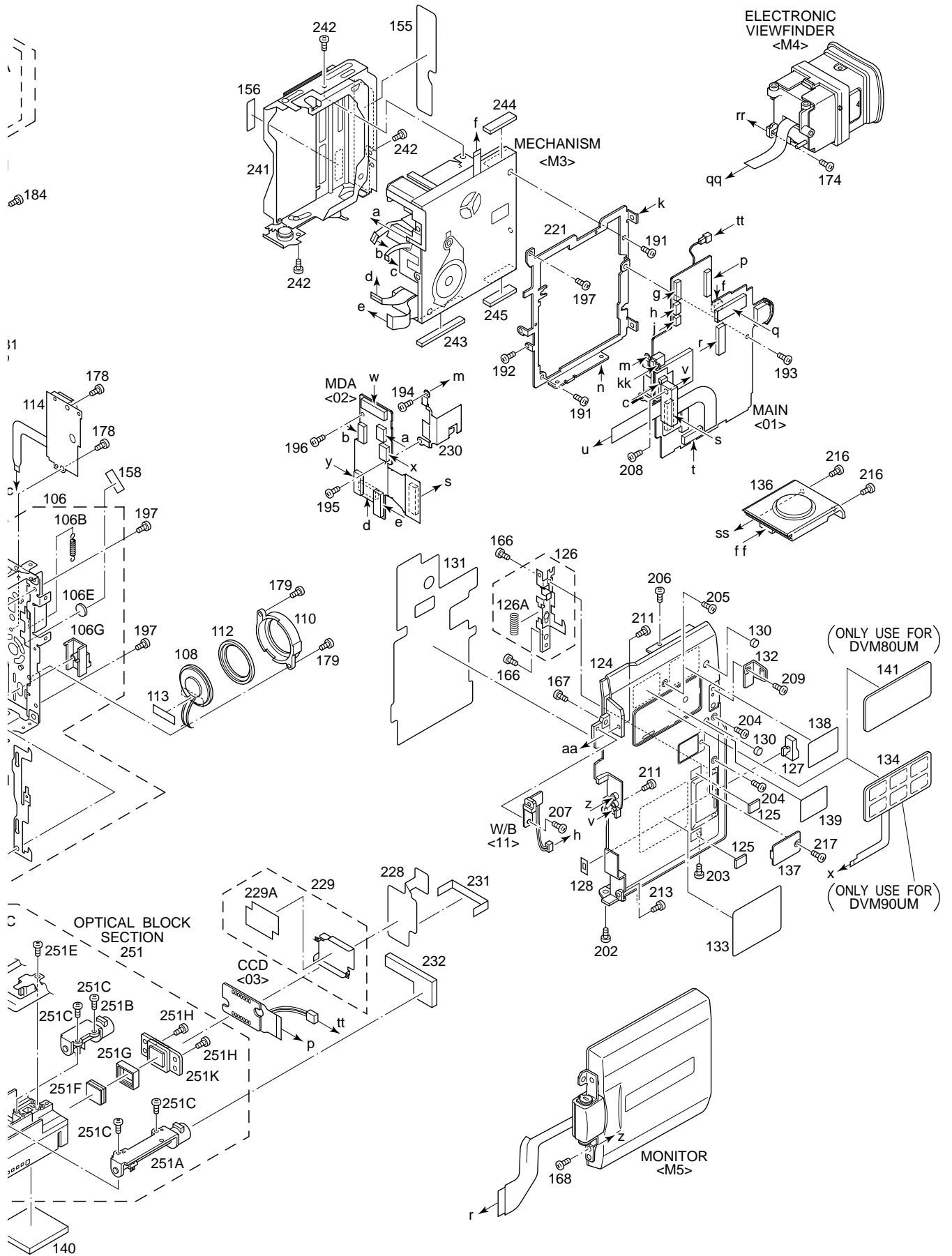
△ REF No. PART No. PART NAME, DESCRIPTION

PACKING AND ACCESSORY ASSEMBLY <M1>

1	-	PACKING CASE
2	LY20588-001A	CUSHION
3	LY30023-003A	POLY BAG
△ 4	LY31174-002B	BATTERY PACK,BN-V507U
△ 5	LY20603-012A	AC ADAPTER CHARGER,AA-V51EN
△ 6	LY20590-001A	DOCKING STATION,CU-V502U,DVM90UM
△ 6	LY20590-003A	DOCKING STATION,CU-V503U,DVM80UM
7	LY20543-002A	REMOTE CONTROL UNIT,RM-V716U
8	LY31133-013B	CD ROM,DVM90UM
8	LY31133-015A	CD ROM,DVM80UM
9	QAM0262-002	MULTIMEDIA CARD,DVM90UM
10	LY31176-004A	DC CORD
15	QAM0124-001	CABLE ASSY,AUDIO/VIDEO CABLE
16	QQR0918-002	CORE FILTER
17	QAM0084-001	PC CONNECTION CABLE
18	QQR0918-002	CORE FILTER
19	QAM0214-001	RM (EDITING) CABLE
20	QQR0491-002	CORE FILTER
21	QAM0213-001	AUDIO CABLE,X2
22	QQR1081-002	CORE FILTER,X2
23	-	BATTERY,AAA(R03),X2
24	QAM0129-001	JLIP CABLE
25	QQR0491-002	CORE FILTER
26	QPGA017-03005	POLY BAG
27	QPA02003006	POLY BAG
28	YQ43558	CLEANING CLOTH
△ 30	LYT0676-001A	IB(SP),DVM90UM
△ 30	LYT0677-001A	IB(SP),DVM80UM
31	LYT0584-006A	IB(PRINTER.SP),DVM90UM
32	LYT0585-001A	IB(SOFT.SETUP),DVM90UM
32	LYT0588-001A	IB(SOFT.SETUP),DVM80UM
33	LYT0378-003A	SHEET(AGREMENT)
36	-	MINI DV TAPE,M-DV30MEBU
37	YQ31953A	A/V RCA CABLE
38	QAM0004-004	S CABLE,S-VIDEO CABLE
39	QQR0918-002	CORE FILTER,X2

5.2 FINAL ASSEMBLY <M2>

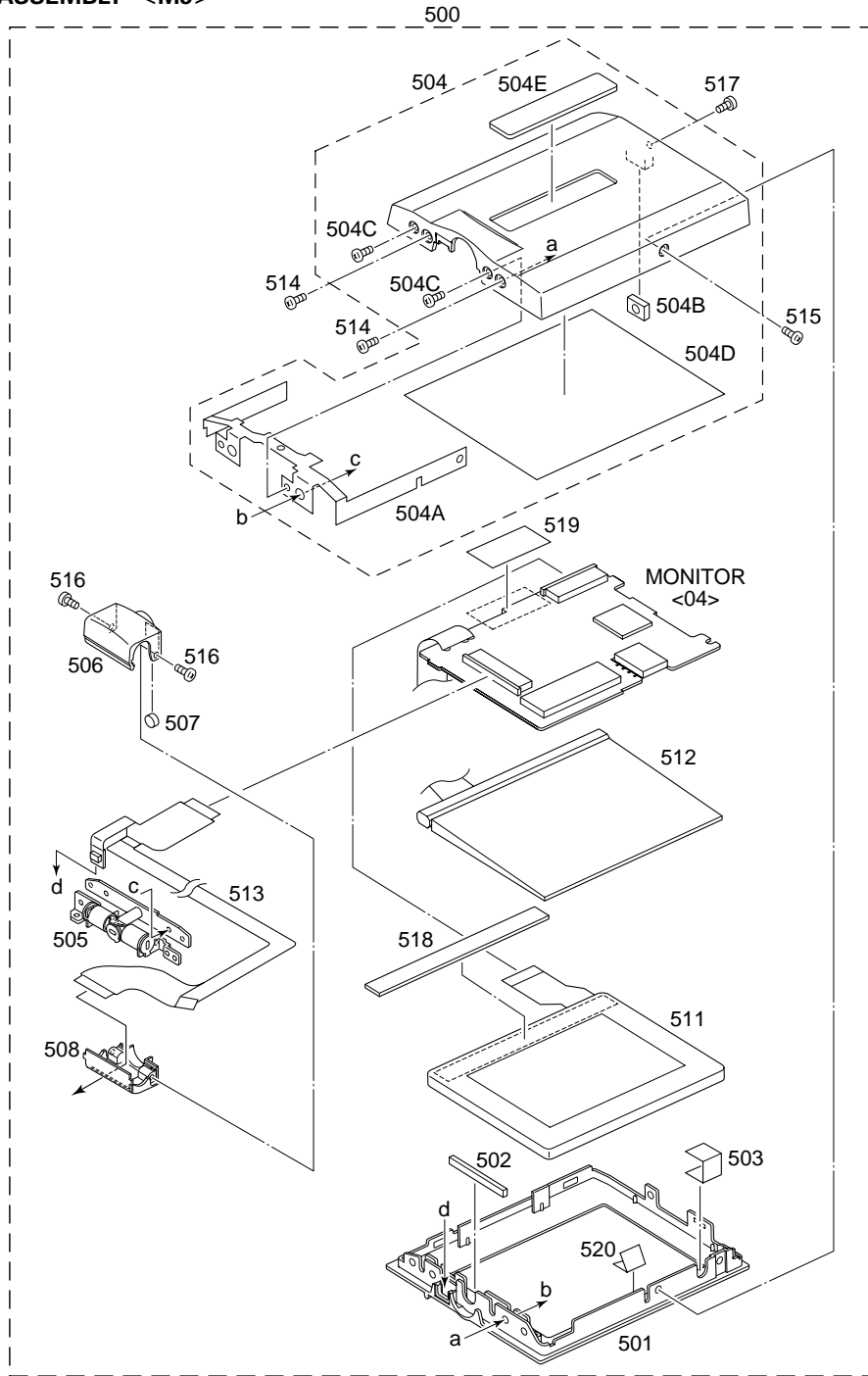




#	△	REF No.	PART No.	PART NAME, DESCRIPTION
***** FINAL ASSEMBLY <M2> *****				
△		101	LY20576-001B	LOWER CASE ASSY,DVM90UM
△			LY20576-003B	LOWER CASE ASSY,DVM80UM
		101A	LY42536-001A	SHEET(LOWER)
		101B	LY42259-001A	SHEET(MIC C)
		102	LY31764-001A	BKT(TOP)
		103	LY41675-001B	RUBBER
		106	LY20601-001B	ARM ASSY
		106A	LY20594-001A	BRACKET(ARM)
		106B	LY30001-023A	TENSION SPRING
		106D	LY30018-056A	SPECIAL SCREW,X2
		106E	LY42268-001A	SPACER(SPK)
		106F	LY31678-001A	BRACKET(HOOK)
		106G	LY31676-001A	KNOB(EJECT)
		106H	LY31665-001A	PLATE(LOCK)
		106J	LY30018-015A	SPECIAL SCREW
		107	LY30029-083A	SPACER(A)
		108	QAS0053-001	SPEAKER
		109	LY30029-084A	SPACER(A)
		110	LY31762-001A	HOLDER(SPK)
		111	LY30029-085A	SPACER(A)
		112	LY40301-001A	SPACER(SPK)
		113	LY30029-086A	SPACER(A)
		114	LY31680-001B	ZOOM UNIT,DVM90UM
			LY31680-002B	ZOOM UNIT,DVM80UM
		115	LY31671-001B	MICROPHONE
		116	LY30029-083A	SPACER(A)
		117	LY30029-094A	SPACER(A)
		121	LY20602-001A	CASS.COVER ASSY,DVM90UM
			LY20602-003A	CASS.COVER ASSY,DVM80UM
		121A	LY31675-001A	PLATE(HINGE),DVM90UM
		121B	LY42261-001A	BRACKET(HINGE),DVM90UM
		121C	LY30014-009A	SHAFT(C),DVM90UM
		121D	LY30018-026A	SPECIAL SCREW,X2
		121E	LY20599-001A	COVER(C.C.),DVM90UM
			LY20599-002A	COVER(C.C.),DVM80UM
		121F	LY42434-001A	SHEET(COVER)
		122	LY41588-001A	HOOK(OPE)
		123	LY31745-001B	GRIP BELT
		124	LY10236-001A	UPPER CASE
		125	LY30029-091A	SPACER(A),X2
		126	LY42270-001A	BATT.LOCK ASSY
		126A	LY30002-015A	COMPRES.SPRING
		127	LY31102-001A	KNOB(LOCK)
		128	LY41397-001A	PLATE(KNOB)
		129	LY42326-001A	BRACKET(LU)
		130	LY42350-001A	FOOT,X2
		131	LY42272-001A	SHEET(UPPER)
		132	LY31682-001B	LOCK(MONITOR)
△		133	LY41605-002A	LABEL(UPPER)
		134	LY31684-001A	SUB OPE ASSY,DVM90UM
		135	LY20600-001A	CAMERA OPE UNIT,DVM90UM
			LY20600-003A	CAMERA OPE UNIT,DVM80UM
		136	LY31906-001A	DECK OPE ASSY
		137	LY41393-004A	COVER(JIG CONN)
		138	LY41701-002A	SHEET(CAUTION)1
		139	LY42163-003A	SHEET(CAUTION)2
		140	LY30029-0B7A	SPACER(A)
		141	LY42406-001A	SHEET,DVM80UM
△		146	LY20581-001D	FRONT COVER ASSY,DVM90UM
△			LY20581-003D	FRONT COVER ASSY,DVM80UM
		146A	LY42276-001B	INDICATOR
		146B	LY42277-001A	WINDOW(IR)
		146C	LY42278-001A	WINDOW(STB),DVM90UM
		146D	LY31687-001A	PAD
		146E	LY42280-001A	SHEET(DF)
		146F	LY42281-001A	COVER(DV)ASSY
		146G	LY42286-001A	HINGE(AV)
		146H	LY42285-002A	COVER(AV)
		147	LY31761-002B	FRONT COVER 2
		151	LY31767-001B	HOOD ASSY
		152	LY31691-001B	HOOK
		153	LY42287-001A	STUD(HOOK)
		154	LY42404-001A	SHEET
		155	LY40698-002A	LABEL(HOUSING)
		156	LY40699-002A	LABEL(PUSH)
		157	LY30016-0H5A	SPACER-A
		158	LY30029-074A	SPACER(A)
		161	QYSPSPT1740R	SCREW

#	△	REF No.	PART No.	PART NAME, DESCRIPTION
		162	LY30018-063A	SPECIAL SCREW
		163	QYSPSPT1740R	SCREW,X2
		164	QYSPSGT1740Z	SCREW,X4
		165	QYSPSGT1740Z	SCREW
		166	QYSPSPT1725Z	SCREW,X2
		167	LY30018-068A	SPECIAL SCREW
		168	LY30018-0B9A	SPECIAL SCREW
		169	LY30018-032A	SPECIAL SCREW,X3
		170	LY30018-020A	SPECIAL SCREW,X4
		171	LY30018-020A	SPECIAL SCREW
		172	LY30019-007B	SPECIAL SCREW,X2
		173	LY30018-060A	SPECIAL SCREW
		174	LY30018-093A	SPECIAL SCREW
		175	LY30018-026A	SPECIAL SCREW
		176	LY30018-060A	SPECIAL SCREW,DVM90UM
		177	LY30018-043B	SPECIAL SCREW
		178	LY30018-032A	SPECIAL SCREW,X2
		179	LY30018-096A	SPECIAL SCREW,X2
		180	QYSPSPT1720R	SCREW,X3
		181	LY30018-066A	SPECIAL SCREW,X6
		182	LY30018-0B5A	SPECIAL SCREW,X2
		183	QYSPSPT1720R	SCREW
		184	LY30018-0B5A	SPECIAL SCREW
		191	LY30019-026A	SPECIAL SCREW,X2
		192	YQ43893-4	MINI SCREW
		193	QYSPSPT1735R	SCREW
		194	YQ43893-4	MINI SCREW
		195	QYSPSPT1735R	SCREW
		196	LY30018-070A	SPECIAL SCREW
		197	LY30018-049A	SPECIAL SCREW,X5 DVM80UM
			LY30018-070A	SPECIAL SCREW,X5 DVM90UM
		198	LY30019-023A	SPECIAL SCREW
		199	QYSPSPT1735R	SCREW
		200	QYSPSPT1720R	SCREW
		201	LY30018-070A	SPECIAL SCREW
		202	QYSPSPT1735R	SCREW
		203	QYSPSPT1735R	SCREW
		204	QYSPSPT1735R	SCREW,X2
		205	LY30018-0B7A	SPECIAL SCREW
		206	LY30018-0B7A	SPECIAL SCREW
		207	QYSPSPT1735R	SCREW
		208	QYSPSPT1735R	SCREW
		209	LY30018-0B8A	SPECIAL SCREW
		210	LY30018-0B7A	SPECIAL SCREW
		211	QYSPSGT1780R	SCREW,X2
		212	LY30018-0B8A	SPECIAL SCREW
		213	QYSPSGT1712R	SCREW
		214	QYSPSPT1735R	SCREW
		215	LY30019-022A	SPECIAL SCREW
		216	QYSPSPT1735R	SCREW,X2
		217	LY30018-070A	SPECIAL SCREW
		221	LY20582-001A	BRACKET(MECHA)
		222	LY31758-001A	FPC ASSY(M.C.N)
		223	LY31693-001B	BASE(T.P.)
		224	LY42290-001A	BRACKET(BASE)1
		225	LY42291-001B	BRACKET(BASE)2
		226	QAL0240-001	FPC
		227	WJT0034-001A	E-CARD WIRE,AU/VF CN803-D.OPE
		228	LY42756-001B	HEAT TAPE
		229	LY42748-001A	SHIELD ASSY
		229A	LY42677-001A	SHEET(CCD)
		230	LY31696-001A	SHIELD PLATE
		231	LY30029-095A	SPACER(A)
		232	LY42770-001A	SPACER(OP.M)
		241	LY30483-001Q	CASSETTE HOUSING ASSY
		242	YQ43893-4	MINI SCREW,X3
		243	LY41430-005A	SPACER
		244	LY30029-090A	SPACER(A)
		245	LY41430-004A	SPACER
- OPTICAL BLOCK SECTION -				
		251	LYH20156-001A	OPTICAL BLOCK ASSY
		251A	LY31572-001A	ZOOM MOTOR
		251B	LY31571-001A	FOCUS MOTOR
		251C	LY30727-002A	SCREW,X5
		251E	LY30727-001A	SCREW,X2
		251F	LY42110-001A	OPTICAL LPF
		251G	LY30721-001A	SPACER RUBBER
		251H	QYSPSGU1750Z	SCREW,X2
		251J	LY31573-001A	IRIS MOTOR UNIT
		251K	YS40168G	CCD BASE ASSY

5.3 MONITOR ASSEMBLY <M5>



△ REF No. PART No. PART NAME, DESCRIPTION

MONITOR ASSEMBLY <M5>

# △	REF No.	PART No.	PART NAME, DESCRIPTION
△	500	LYH20164-001C	MONITOR ASSY,DVM90UM
△		LYH20164-002C	MONITOR ASSY,DVM80UM
	501	LY20584-001B	MONITOR CASE
	502	LY30029-046B	SPACER(A)
	503	LY30029-048A	SPACER(A)
△	504	LY20585-001A	MONITOR COVER ASSY,DVM90UM
△		LY20585-003A	MONITOR COVER ASSY,DVM80UM
	504A	LY31699-001A	BRACKET(MON.)
	504B	LY40162-001A	BKT
	504C	LY30018-057A	SPECIAL SCREW,X2
	504D	LY30029-047A	SPACER(A)

△ REF No. PART No. PART NAME, DESCRIPTION

	504E	LY42295-001A	PLATE(MON.)
	505	LY31701-001B	HINGE ASSY
	506	LY31702-001A	HINGE COVER(U)
	507	LY40663-002A	MAGNET
	508	LY31703-001A	HINGE COVER(L)
	511	QLD0138-001	LCD MODULE
	512	QLL0087-001	BACK LIGHT
	513	LY31756-001A	FPC ASSY(MONI)
	514	LY30018-0B1A	SPECIAL SCREW,X2
	515	QYSPSPT1730R	SCREW
	516	LY30018-060A	SPECIAL SCREW,X2
	517	QYSPSPT1735R	SCREW
	518	LY30029-076A	SPACER(A)
	519	LY30029-093A	SPACER(A)
	520	LY30029-0A1A	SPACER(A)

5.4 ELECTRICAL PARTS LIST

#	△ REF No.	PART No.	PART NAME, DESCRIPTION

MAIN BOARD ASSEMBLY <01>			
	PW	YB10284B-07	MAIN BOARD ASSY,DVM90UM
		YB10284C-05	MAIN BOARD ASSY,DVM80UM
	IC1001	YQ44866A	CSP IC ASSY
	IC1002	MB90097PFV133	IC(μ C ROM)
	IC1003	NM25C160LZEM8	IC
		or X25330S8I-2.5-X	IC
		or AT25160N-10SC-X	IC
		or X25170S8I-2.5-X	IC
	IC1004	RS5C314	IC
	IC1005	TC7W08FK	IC
	IC1006	TC7W04FK	IC
	IC1008	TC7W66FK	IC
	IC1009	TC7W08FK	IC
	IC1101	TA75W01FU	IC
	IC1401	MN1030F04KYB-H2	IC(MICRO C ROM)
		or YQ44869A	CSP IC ASSY
		or MN103004KRR1	IC(MICRO C ROM)
		or MN1030F14KYB-H2	IC(MICRO C ROM)
	IC1402	TC7W14FK	IC
	IC1403	TC7W66FK	IC
	IC1405	TC4W53FU	IC
	IC2701	SN74AHC1G66K	IC
	IC2751	TC74HC4052AFT	IC
	IC3001	JCY0106-2	IC
	IC3002	M51V18165D-50LS	IC
	IC3004	TC7SL00FU	IC(DIGITAL)
	IC3005	SN74AHC1G04K	IC
	IC3101	PDI1394P11AEC	IC
	IC3201	JCY0107-2	IC
	IC3202	TC7SH00FU	IC(DIGITAL)
	IC3203	MM1385UN	IC
	IC3301	JCY0108	IC
	IC3501	AN3731FHQ	IC(DIGITAL)
	IC3701	NJM2538V	IC
	IC3702	MM1385HN	IC
	IC4201	HD49325BHF	IC
	IC4202	RH5RZ31CA	IC
	IC4301	YQ44827A	IC
	IC4302	MM1385PN	IC
	IC4304	TC7WH123FK	IC
	IC4305	TC7W04FK	IC
	IC4401	M62366GP	IC
△	IC5001	JCY0138	IC
	IC5002	MM1385DN	IC
	IC5004	W194-70G-X	IC
	IC6001	S-80842ANNP-W	IC
	IC6002	S-81233SG-QF-X	IC
	IC6003	S-81330HG-KB-X	IC
	IC6004	S-80826ANNP-W	IC
	IC6101	BD9712KU	IC
	IC6401	MM1385XN	IC
	IC6601	TC7W74FK	IC,DVM90UM
		or TC7WH74FK	IC,DVM90UM
	IC8001	JCY0121-4	IC,DVM90UM
	IC8002	MSM56V16160D1LS	IC,DVM90UM
	IC8003	M32310D5WG	IC,DVM90UM
	IC8004	MBV800TA90PBA06	IC(MICRO C ROM),DVM90UM

#	△ REF No.	PART No.	PART NAME, DESCRIPTION
	IC8005	TC7S00FU	IC,DVM90UM
		or SN74AHC1G00K	IC,DVM90UM
	IC8006	MM1385NN	IC,DVM90UM
	IC8007	MM1385EN	IC,DVM90UM
	IC8008	TC7WHU04FK	IC,DVM90UM
	IC8009	TC7WH34FK	IC,DVM90UM
	IC8101	TMS320DA050-G	IC,DVM90UM
	IC8102	TC7MA2244FK	IC,DVM90UM
	IC8103	TC7S04FU	IC,DVM90UM
	Q1401	DTA114EE	TRANSISTOR
		or RN2102	TRANSISTOR
	Q1402	UMC3N	TRANSISTOR
	Q1403	UMC3N	TRANSISTOR
	Q1405	DTC143EE	TRANSISTOR
	Q1406	2SC4738FT/G/-X	TRANSISTOR
	Q1407	DTC124EE	TRANSISTOR
	Q1408	DTC144EM	TRANSISTOR
	Q2701	DTC144EM	TRANSISTOR
	Q2703	2SC4738FT/G/-X	TRANSISTOR
	Q2704	2SC4738FT/G/-X	TRANSISTOR
	Q2705	2SC4738FT/G/-X	TRANSISTOR
	Q2751	DTC144EM	TRANSISTOR
	Q2752	2SA1832FT/G/-X	TRANSISTOR
	Q2753	2SA1832FT/G/-X	TRANSISTOR
	Q2754	2SC4738FT/G/-X	TRANSISTOR
	Q2755	UMX1N	PAIR TRANSISTOR
	Q2756	2SA1832FT/G/-X	TRANSISTOR
	Q2757	DTA144EM	TRANSISTOR
	Q2758	DTC144EM	TRANSISTOR
	Q2759	DTC144EM	TRANSISTOR
	Q2760	2SC4738FT/G/-X	TRANSISTOR
	Q3501	2SC4226/4/-X	TRANSISTOR
	Q3502	2SD1979/S/-X	TRANSISTOR
	Q3503	2SD1979/S/-X	TRANSISTOR
	Q3504	2SC4226/4/-X	TRANSISTOR
	Q3551	2SA1577/QR/-X	TRANSISTOR
	Q3552	DTC144EM	TRANSISTOR
	Q3701	DTC144EM	TRANSISTOR
	Q3707	UMT2N	PAIR TRANSISTOR
	Q3708	2SA1832FT/G/-X	TRANSISTOR
	Q3709	2SA1832FT/G/-X	TRANSISTOR
	Q3710	2SA1832FT/G/-X	TRANSISTOR
	Q3711	2SC4738FT/G/-X	TRANSISTOR
	Q3712	UMA2N	TRANSISTOR
	Q3713	DTC144EM	TRANSISTOR
	Q3731	2SA1832FT/G/-X	TRANSISTOR
	Q4351	2SA1832FT/G/-X	TRANSISTOR
	Q4352	UMT2N	PAIR TRANSISTOR
	Q4353	UMT2N	PAIR TRANSISTOR
	Q4354	2SA1832FT/G/-X	TRANSISTOR
	Q6001	2SJ501	MOS FET
	Q6002	2SK3019	MOS FET
		or 2SK1830	MOS FET
	Q6003	2SJ347	MOS FET
	Q6004	2SK3019	MOS FET
		or 2SK1830	MOS FET
	Q6005	DTC144EM	TRANSISTOR
	Q6006	2SJ501	MOS FET
	Q6007	RN47A3	TRANSISTOR
	Q6103	NDS352AP	MOS FET
	Q6104	NDS352AP	MOS FET

#	△ REF No.	PART No.	PART NAME, DESCRIPTION	#	△ REF No.	PART No.	PART NAME, DESCRIPTION
		Q6105	NDS352AP	MOS FET	R1028	NRSA6AJ-102W	MG RESISTOR 1kΩ,1/16W
		Q6106	NDS352AP	MOS FET	R1030	NRSA6AJ-102W	MG RESISTOR 1kΩ,1/16W
		Q6107	NDS352AP	MOS FET	R1031	NRSA6AJ-102W	MG RESISTOR 1kΩ,1/16W
		Q6108	NDS352AP	MOS FET	R1032	NRSA6AJ-0R0W	MG RESISTOR 0Ω,1/16W
		Q6109	NDS351AN	MOS FET	R1033	NRSA6AJ-102W	MG RESISTOR 1kΩ,1/16W
		Q6110	NDS352AP	MOS FET	R1034	NRSA6AJ-0R0W	MG RESISTOR 0Ω,1/16W
		Q6112	NDS352AP	MOS FET	R1035	NRSA6AJ-104W	MG RESISTOR 100kΩ,1/16W
		Q6113	NDS351AN	MOS FET	R1036	NRSA63J-0R0X	MG RESISTOR 0Ω,1/16W
		Q6201	HN1C01FU/G/-X	PAIR TRANSISTOR	R1037	NRSA6AJ-103W	MG RESISTOR 10kΩ,1/16W
		Q6202	2SA1577/QR/-X	TRANSISTOR	R1038	NRSA6AJ-103W	MG RESISTOR 10kΩ,1/16W
		Q6203	2SC4617/QR/-X	TRANSISTOR	R1039	NRSA6AJ-102W	MG RESISTOR 1kΩ,1/16W
		Q6204	HN1A01FU/G/-X	PAIR TRANSISTOR	R1040	NRSA6AJ-102W	MG RESISTOR 1kΩ,1/16W
		Q6205	2SC4617/QR/-X	TRANSISTOR	R1041	NRSA6AJ-104W	MG RESISTOR 100kΩ,1/16W
		Q6206	2SA1774/QR/-X	TRANSISTOR	R1042	NRSA6AJ-473W	MG RESISTOR 47kΩ,1/16W
		Q6207	DTC144EE	TRANSISTOR	R1043	NRSA6AJ-103W	MG RESISTOR 10kΩ,1/16W
		Q6601	DTC144EM	TRANSISTOR,DVM90UM	R1044	NRSA6AJ-472W	MG RESISTOR 4.7kΩ,1/16W
		Q6602	2SA1873/YG/-X	PAIR TRANSISTOR,DVM90UM	R1045	NRSA6AJ-222W	MG RESISTOR 2.2kΩ,1/16W
		Q6611	2SA1832FT/G/-X	TRANSISTOR,DVM90UM	R1047	NRSA6AD-473W	MG RESISTOR 47kΩ,1/16W
		Q6612	2SA1873/YG/-X	PAIR TRANSISTOR,DVM90UM	R1048	NRSA6AJ-104W	MG RESISTOR 100kΩ,1/16W
		Q6613	2SC4738FT/G/-X	TRANSISTOR,DVM90UM	R1050	NRSA6AJ-104W	MG RESISTOR 100kΩ,1/16W
		Q6614	RN1702	TRANSISTOR,DVM90UM	R1052	NRSA6AJ-103W	MG RESISTOR 10kΩ,1/16W
		Q6615	UMC4N	TRANSISTOR,DVM90UM	R1053	NRSA6AJ-0R0W	MG RESISTOR 0Ω,1/16W
		D1002	1SS357	SB DIODE	R1054	NRSA6AJ-0R0W	MG RESISTOR 0Ω,1/16W
		D1401	DA221	DIODE	R1055	NRSA6AJ-101W	MG RESISTOR 100Ω,1/16W
		D2751	DAN222	DIODE	R1056	NRSA6AJ-101W	MG RESISTOR 100Ω,1/16W
		D2752	DA221	DIODE	R1058	NRSA6AJ-0R0W	MG RESISTOR 0Ω,1/16W
		D2753	DA221	DIODE	R1063	NRSA6AJ-102W	MG RESISTOR 1kΩ,1/16W
		D4101	1SS355	DIODE	R1064	NRSA6AJ-473W	MG RESISTOR 47kΩ,1/16W
△	D6001	RB706D-40-X	SB DIODE	R1067	NRSA6AJ-102W	MG RESISTOR 1kΩ,1/16W	
	D6002	RB715F	SB DIODE	R1068	NRSA6AJ-102W	MG RESISTOR 1kΩ,1/16W	
	D6101	EP10LA03	SB DIODE	R1080	NRSA6AJ-0R0W	MG RESISTOR 0Ω,1/16W	
	D6102	EP10LA03	SB DIODE	R1082	NRSA6AJ-0R0W	MG RESISTOR 0Ω,1/16W	
	D6103	EP10LA03	SB DIODE	R1084	NRSA6AJ-0R0W	MG RESISTOR 0Ω,1/16W	
	D6106	EP10LA03	SB DIODE	R1087	NRSA6AJ-104W	MG RESISTOR 100kΩ,1/16W	
	D6107	EP10LA03	SB DIODE	R1101	NRSA6AJ-333W	MG RESISTOR 33kΩ,1/16W	
	D6108	EP10LA03	SB DIODE	R1102	NRSA6AJ-472W	MG RESISTOR 4.7kΩ,1/16W	
	D6109	EP10LA03	SB DIODE	R1104	NRSA6AJ-105W	MG RESISTOR 1MΩ,1/16W	
	D6201	1SS383	SB DIODE	R1106	NRSA6AJ-105W	MG RESISTOR 1MΩ,1/16W	
	D6202	1SS383	SB DIODE	R1107	NRSA6AJ-103W	MG RESISTOR 10kΩ,1/16W	
	D6203	MA8091/L/-X	ZENER DIODE	R1108	NRSA6AJ-472W	MG RESISTOR 4.7kΩ,1/16W	
	R1002	NRSA6AJ-104W	MG RESISTOR 100kΩ,1/16W	R1109	NRSA6AJ-103W	MG RESISTOR 10kΩ,1/16W	
	R1003	NRSA6AJ-104W	MG RESISTOR 100kΩ,1/16W	R1401	NRSA6AJ-102W	MG RESISTOR 1kΩ,1/16W	
	R1004	NRSA6AJ-0R0W	MG RESISTOR 0Ω,1/16W	R1402	NRSA6AJ-222W	MG RESISTOR 2.2kΩ,1/16W	
	R1005	NRSA6AJ-102W	MG RESISTOR 1kΩ,1/16W	R1403	NRSA6AJ-222W	MG RESISTOR 2.2kΩ,1/16W	
	R1006	NRSA6AJ-102W	MG RESISTOR 1kΩ,1/16W	R1404	NRSA6AJ-0R0W	MG RESISTOR 0Ω,1/16W	
	R1007	NRSA6AJ-473W	MG RESISTOR 47kΩ,1/16W	R1408	NRSA6AJ-472W	MG RESISTOR 4.7kΩ,1/16W	
	R1009	NRSA6AJ-393W	MG RESISTOR 39kΩ,1/16W	R1409	NRSA6AJ-331W	MG RESISTOR 330Ω,1/16W	
	R1010	NRSA6AJ-473W	MG RESISTOR 47kΩ,1/16W	R1410	NRSA6AJ-331W	MG RESISTOR 330Ω,1/16W	
	R1011	NRSA6AJ-102W	MG RESISTOR 1kΩ,1/16W	R1411	NRSA6AJ-473W	MG RESISTOR 47kΩ,1/16W	
	R1012	NRSA6AJ-223W	MG RESISTOR 22kΩ,1/16W	R1412	NRSA6AJ-331W	MG RESISTOR 330Ω,1/16W	
	R1013	NRSA6AJ-102W	MG RESISTOR 1kΩ,1/16W	R1415	NRSA6AJ-0R0W	MG RESISTOR 0Ω,1/16W	
	R1015	NRSA6AJ-102W	MG RESISTOR 1kΩ,1/16W	R1417	NRSA6AJ-102W	MG RESISTOR 1kΩ,1/16W	
	R1016	NRSA6AJ-102W	MG RESISTOR 1kΩ,1/16W	R1418	NRSA6AJ-221W	MG RESISTOR 220Ω,1/16W	
	R1017	NRSA6AJ-103W	MG RESISTOR 10kΩ,1/16W	R1419	NRSA6AJ-221W	MG RESISTOR 220Ω,1/16W	
	R1018	NRSA6AJ-822W	MG RESISTOR 8.2kΩ,1/16W	R1420	NRSA6AJ-473W	MG RESISTOR 47kΩ,1/16W	
	R1019	NRSA6AJ-102W	MG RESISTOR 1kΩ,1/16W	R1422	NRSA6AJ-332W	MG RESISTOR 3.3kΩ,1/16W	
	R1020	NRSA6AJ-123W	MG RESISTOR 12kΩ,1/16W	R1423	NRSA6AJ-332W	MG RESISTOR 3.3kΩ,1/16W	
	R1021	NRSA6AJ-0R0W	MG RESISTOR 0Ω,1/16W	R1424	NRSA6AJ-332W	MG RESISTOR 3.3kΩ,1/16W	
	R1023	NRSA6AJ-0R0W	MG RESISTOR 0Ω,1/16W	R1425	NRSA6AJ-753W	MG RESISTOR 75kΩ,1/16W	
	R1024	NRSA6AJ-0R0W	MG RESISTOR 0Ω,1/16W	R1426	NRSA6AJ-334W	MG RESISTOR 330kΩ,1/16W	
	R1025	NRSA6AJ-0R0W	MG RESISTOR 0Ω,1/16W	R1427	NRSA6AJ-103W	MG RESISTOR 10kΩ,1/16W	

#	△	REF No.	PART No.	PART NAME, DESCRIPTION		#	△	REF No.	PART No.	PART NAME, DESCRIPTION	
R1428			NRSA6AJ-153W	MG RESISTOR	15kΩ,1/16W	R2706			NRSA6AJ-104W	MG RESISTOR	100kΩ,1/16W
R1429			NRSA6AJ-102W	MG RESISTOR	1kΩ,1/16W	R2709			NRSA6AJ-221W	MG RESISTOR	220Ω,1/16W
R1430			NRSA6AJ-102W	MG RESISTOR	1kΩ,1/16W	R2710			NRSA6AJ-332W	MG RESISTOR	3.3kΩ,1/16W
R1431			NRSA6AJ-683W	MG RESISTOR	68kΩ,1/16W	R2711			NRSA6AJ-103W	MG RESISTOR	10kΩ,1/16W
R1432			NRSA6AJ-102W	MG RESISTOR	1kΩ,1/16W	R2712			NRSA6AJ-103W	MG RESISTOR	10kΩ,1/16W
R1433			NRSA6AJ-683W	MG RESISTOR	68kΩ,1/16W	R2713			NRSA6AJ-822W	MG RESISTOR	8.2kΩ,1/16W
R1434			NRSA63J-101X	MG RESISTOR	100Ω,1/16W	R2714			NRSA6AJ-822W	MG RESISTOR	8.2kΩ,1/16W
R1436			NRSA63J-820X	MG RESISTOR	82Ω,1/16W	R2716			NRSA6AJ-0R0W	MG RESISTOR	0Ω,1/16W
R1438			NRSA6AJ-0R0W	MG RESISTOR	0Ω,1/16W	R2719			NRSA6AJ-103W	MG RESISTOR	10kΩ,1/16W
R1439			NRSA6AJ-332W	MG RESISTOR	3.3kΩ,1/16W	R2721			NRSA6AJ-103W	MG RESISTOR	10kΩ,1/16W
R1440			NRSA6AJ-332W	MG RESISTOR	3.3kΩ,1/16W	R2722			NRSA6AJ-0R0W	MG RESISTOR	0Ω,1/16W
R1441			NRSA6AJ-332W	MG RESISTOR	3.3kΩ,1/16W	R2725			NRSA6AJ-332W	MG RESISTOR	3.3kΩ,1/16W
R1442			NRSA6AJ-332W	MG RESISTOR	3.3kΩ,1/16W	R2751			NRSA6AJ-820W	MG RESISTOR	82Ω,1/16W
R1443			NRSA6AJ-0R0W	MG RESISTOR	0Ω,1/16W	R2752			NRSA6AJ-820W	MG RESISTOR	82Ω,1/16W
R1444			NRSA6AJ-0R0W	MG RESISTOR	0Ω,1/16W	R2753			NRSA6AJ-104W	MG RESISTOR	100kΩ,1/16W
R1447			NRSA6AJ-103W	MG RESISTOR	10kΩ,1/16W	R2754			NRSA6AJ-104W	MG RESISTOR	100kΩ,1/16W
R1448			NRSA6AJ-153W	MG RESISTOR	15kΩ,1/16W	R2755			NRSA6AJ-104W	MG RESISTOR	100kΩ,1/16W
R1449			NRSA6AJ-472W	MG RESISTOR	4.7kΩ,1/16W	R2756			NRSA6AJ-332W	MG RESISTOR	3.3kΩ,1/16W
R1450			NRSA6AJ-103W	MG RESISTOR	10kΩ,1/16W	R2757			NRSA6AJ-564W	MG RESISTOR	560kΩ,1/16W
R1451			NRSA6AJ-224W	MG RESISTOR	220kΩ,1/16W	R2758			NRSA6AJ-564W	MG RESISTOR	560kΩ,1/16W
R1452			NRSA6AJ-334W	MG RESISTOR	330kΩ,1/16W	R2759			NRSA6AJ-821W	MG RESISTOR	820Ω,1/16W
R1453			NRSA6AJ-103W	MG RESISTOR	10kΩ,1/16W	R2760			NRSA6AJ-821W	MG RESISTOR	820Ω,1/16W
R1454			NRSA6AJ-474W	MG RESISTOR	470kΩ,1/16W	R2764			NRSA6AJ-182W	MG RESISTOR	1.8kΩ,1/16W
R1455			NRSA6AJ-154W	MG RESISTOR	150kΩ,1/16W	R2766			NRSA6AJ-0R0W	MG RESISTOR	0Ω,1/16W
R1456			NRSA6AJ-473W	MG RESISTOR	47kΩ,1/16W	R2767			NRSA6AJ-222W	MG RESISTOR	2.2kΩ,1/16W
R1457			NRSA6AJ-272W	MG RESISTOR	2.7kΩ,1/16W	R2768			NRSA6AJ-564W	MG RESISTOR	560kΩ,1/16W
R1458			NRSA6AJ-183W	MG RESISTOR	18kΩ,1/16W	R2769			NRSA6AJ-152W	MG RESISTOR	1.5kΩ,1/16W
R1459			NRSA6AJ-472W	MG RESISTOR	4.7kΩ,1/16W	R2770			NRSA6AJ-104W	MG RESISTOR	100kΩ,1/16W
R1460			NRSA6AJ-103W	MG RESISTOR	10kΩ,1/16W	R2771			NRSA6AJ-0R0W	MG RESISTOR	0Ω,1/16W
R1461			NRSA6AJ-104W	MG RESISTOR	100kΩ,1/16W	R2772			NRSA6AJ-0R0W	MG RESISTOR	0Ω,1/16W
R1462			NRSA6AJ-102W	MG RESISTOR	1kΩ,1/16W	R2773			NRSA6AJ-0R0W	MG RESISTOR	0Ω,1/16W
R1463			NRSA6AJ-102W	MG RESISTOR	1kΩ,1/16W	R2774			NRSA6AJ-102W	MG RESISTOR	1kΩ,1/16W
R1464			NRSA6AJ-102W	MG RESISTOR	1kΩ,1/16W	R3001			NRSA6AJ-101W	MG RESISTOR	100Ω,1/16W
R1465			NRSA6AJ-103W	MG RESISTOR	10kΩ,1/16W	R3002			NRSA6AJ-105W	MG RESISTOR	1MΩ,1/16W
R1466			NRSA6AJ-474W	MG RESISTOR	470kΩ,1/16W	R3003			NRSA6AJ-471W	MG RESISTOR	470Ω,1/16W
R1469			NRSA6AJ-102W	MG RESISTOR	1kΩ,1/16W	R3004			NRSA6AJ-331W	MG RESISTOR	330Ω,1/16W
R1470			NRSA6AJ-473W	MG RESISTOR	47kΩ,1/16W	R3006			NRSA6AJ-0R0W	MG RESISTOR	0Ω,1/16W
R1471			NRSA6AJ-102W	MG RESISTOR	1kΩ,1/16W	R3007			NRSA6AJ-0R0W	MG RESISTOR	0Ω,1/16W
R1472			NRSA6AJ-473W	MG RESISTOR	47kΩ,1/16W	R3008			NRSA6AJ-0R0W	MG RESISTOR	0Ω,1/16W
R1474			NRSA6AJ-472W	MG RESISTOR	4.7kΩ,1/16W	R3010			NRSA6AJ-0R0W	MG RESISTOR	0Ω,1/16W
R1478			NRSA63J-0R0X	MG RESISTOR	0Ω,1/16W	R3012			NRSA6AJ-0R0W	MG RESISTOR	0Ω,1/16W
R1480			NRSA6AJ-682W	MG RESISTOR	6.8kΩ,1/16W	R3014			NRSA6AJ-124W	MG RESISTOR	120kΩ,1/16W
R1481			NRSA6AJ-392W	MG RESISTOR	3.9kΩ,1/16W	R3015			NRSA6AJ-124W	MG RESISTOR	120kΩ,1/16W
R1482			NRSA6AJ-272W	MG RESISTOR	2.7kΩ,1/16W	R3016			NRSA6AJ-0R0W	MG RESISTOR	0Ω,1/16W
R1483			NRSA6AJ-182W	MG RESISTOR	1.8kΩ,1/16W	R3017			NRSA6AJ-272W	MG RESISTOR	2.7kΩ,1/16W
R1484			NRSA6AJ-152W	MG RESISTOR	1.5kΩ,1/16W	R3018			NRSA6AJ-102W	MG RESISTOR	1kΩ,1/16W
R1485			NRSA6AJ-103W	MG RESISTOR	10kΩ,1/16W	R3019			NRSA6AJ-101W	MG RESISTOR	100Ω,1/16W
R1486			NRSA6AJ-272W	MG RESISTOR	2.7kΩ,1/16W	R3021			NRSA6AJ-0R0W	MG RESISTOR	0Ω,1/16W
R1487			NRSA6AJ-182W	MG RESISTOR	1.8kΩ,1/16W	R3022			NRSA6AJ-0R0W	MG RESISTOR	0Ω,1/16W
R1488			NRSA6AJ-152W	MG RESISTOR	1.5kΩ,1/16W	R3024			NRSA6AJ-100W	MG RESISTOR	10Ω,1/16W
R1489			NRSA6AJ-103W	MG RESISTOR	10kΩ,1/16W	R3026			NRSA6AJ-0R0W	MG RESISTOR	0Ω,1/16W
R1490			NRSA6AJ-393W	MG RESISTOR	39kΩ,1/16W	R3031			NRSA6AJ-472W	MG RESISTOR	4.7kΩ,1/16W
R1491			NRSA6AJ-273W	MG RESISTOR	27kΩ,1/16W	R3032			NRSA6AJ-682W	MG RESISTOR	6.8kΩ,1/16W
R1495			NRSA6AJ-272W	MG RESISTOR	2.7kΩ,1/16W	R3033			NRSA6AJ-105W	MG RESISTOR	1MΩ,1/16W
R1496			NRSA6AJ-182W	MG RESISTOR	1.8kΩ,1/16W	R3036			NRSA6AJ-105W	MG RESISTOR	1MΩ,1/16W
R1497			NRSA6AJ-152W	MG RESISTOR	1.5kΩ,1/16W	R3037			NRSA6AJ-101W	MG RESISTOR	100Ω,1/16W
R1498			NRSA6AJ-103W	MG RESISTOR	10kΩ,1/16W	R3038			NRSA6AJ-0R0W	MG RESISTOR	0Ω,1/16W
R1499			NRSA6AJ-473W	MG RESISTOR	47kΩ,1/16W	R3039			NRSA6AJ-0R0W	MG RESISTOR	0Ω,1/16W
R2701			NRSA6AJ-221W	MG RESISTOR	220Ω,1/16W	R3040			NRSA6AJ-0R0W	MG RESISTOR	0Ω,1/16W
R2702			NRSA6AJ-100W	MG RESISTOR	10Ω,1/16W	R3041			NRSA6AJ-0R0W	MG RESISTOR	0Ω,1/16W
R2705			NRSA6AJ-0R0W	MG RESISTOR	0Ω,1/16W	R3101			NRSA6AJ-331W	MG RESISTOR	330Ω,1/16W

#	△ REF No.	PART No.	PART NAME, DESCRIPTION	#	△ REF No.	PART No.	PART NAME, DESCRIPTION
R3102		NRSA6AJ-103W	MG RESISTOR 10kΩ,1/16W	R3505		NRSA6AJ-680W	MG RESISTOR 68Ω,1/16W
R3103		NRSA6AJ-331W	MG RESISTOR 330Ω,1/16W	R3506		NRSA6AJ-152W	MG RESISTOR 1.5kΩ,1/16W
R3104		NRSA6AJ-394W	MG RESISTOR 390kΩ,1/16W	R3507		NRSA6AJ-123W	MG RESISTOR 12kΩ,1/16W
R3105		NRSA6AJ-104W	MG RESISTOR 100kΩ,1/16W	R3508		NRSA6AJ-102W	MG RESISTOR 1kΩ,1/16W
R3106		NRSA6AJ-472W	MG RESISTOR 4.7kΩ,1/16W	R3509		NRSA6AJ-181W	MG RESISTOR 180Ω,1/16W
R3107		NRSA6AJ-560W	MG RESISTOR 56Ω,1/16W	R3510		NRSA6AJ-181W	MG RESISTOR 180Ω,1/16W
R3108		NRSA6AJ-560W	MG RESISTOR 56Ω,1/16W	R3511		NRSA6AJ-102W	MG RESISTOR 1kΩ,1/16W
R3109		NRSA6AJ-560W	MG RESISTOR 56Ω,1/16W	R3512		NRSA6AJ-123W	MG RESISTOR 12kΩ,1/16W
R3110		NRSA6AJ-560W	MG RESISTOR 56Ω,1/16W	R3513		NRSA6AJ-152W	MG RESISTOR 1.5kΩ,1/16W
R3111		NRSA6AJ-512W	MG RESISTOR 5.1kΩ,1/16W	R3514		NRSA6AJ-680W	MG RESISTOR 68Ω,1/16W
R3112		NRSA6AJ-0R0W	MG RESISTOR 0Ω,1/16W	R3515		NRSA6AJ-100W	MG RESISTOR 10Ω,1/16W
R3113		NRSA6AJ-474W	MG RESISTOR 470kΩ,1/16W	R3516		NRSA6AJ-152W	MG RESISTOR 1.5kΩ,1/16W
R3114		NRSA6AJ-512W	MG RESISTOR 5.1kΩ,1/16W	R3517		NRSA6AJ-102W	MG RESISTOR 1kΩ,1/16W
R3201		NRSA6AJ-0R0W	MG RESISTOR 0Ω,1/16W	R3551		NRSA6AJ-473W	MG RESISTOR 47kΩ,1/16W
R3202		NRSA6AJ-0R0W	MG RESISTOR 0Ω,1/16W	R3552		NRSA6AJ-392W	MG RESISTOR 3.9kΩ,1/16W
R3203		NRSA6AJ-272W	MG RESISTOR 2.7kΩ,1/16W	R3554		NRSA6AJ-471W	MG RESISTOR 470Ω,1/16W
R3204		NRSA6AJ-473W	MG RESISTOR 47kΩ,1/16W	R3555		NRSA6AJ-0R0W	MG RESISTOR 0Ω,1/16W
R3208		NRSA6AJ-820W	MG RESISTOR 82Ω,1/16W	R3556		NRSA6AJ-0R0W	MG RESISTOR 0Ω,1/16W
R3209		NRSA6AJ-101W	MG RESISTOR 100Ω,1/16W	R3701		NRSA6AJ-225W	MG RESISTOR 2.2MΩ,1/16W
R3211		NRSA6AJ-105W	MG RESISTOR 1MΩ,1/16W	R3702		NRSA6AJ-103W	MG RESISTOR 10kΩ,1/16W
R3303		NRSA6AJ-823W	MG RESISTOR 82kΩ,1/16W	R3703		NRSA6AJ-103W	MG RESISTOR 10kΩ,1/16W
R3305		NRSA6AJ-121W	MG RESISTOR 120Ω,1/16W	R3704		NRSA6AJ-121W	MG RESISTOR 120Ω,1/16W
R3306		NRSA6AJ-391W	MG RESISTOR 390Ω,1/16W	R3705		NRSA6AJ-121W	MG RESISTOR 120Ω,1/16W
R3308		NRSA6AJ-152W	MG RESISTOR 1.5kΩ,1/16W	R3706		NRSA6AJ-821W	MG RESISTOR 820Ω,1/16W
R3310		NRSA6AJ-102W	MG RESISTOR 1kΩ,1/16W	R3707		NRSA6AJ-224W	MG RESISTOR 220kΩ,1/16W
R3312		NRSA6AJ-222W	MG RESISTOR 2.2kΩ,1/16W	R3708		NRSA6AJ-103W	MG RESISTOR 10kΩ,1/16W
R3315		NRSA6AJ-103W	MG RESISTOR 10kΩ,1/16W	R3709		NRSA6AJ-680W	MG RESISTOR 68Ω,1/16W
R3316		NRSA6AJ-0R0W	MG RESISTOR 0Ω,1/16W	R3711		NRSA6AJ-680W	MG RESISTOR 68Ω,1/16W
R3317		NRSA6AJ-222W	MG RESISTOR 2.2kΩ,1/16W	R3713		NRSA6AJ-680W	MG RESISTOR 68Ω,1/16W
R3318		NRSA6AJ-562W	MG RESISTOR 5.6kΩ,1/16W	R3720		NRSA6AJ-472W	MG RESISTOR 4.7kΩ,1/16W
R3319		NRSA6AJ-102W	MG RESISTOR 1kΩ,1/16W	R3721		NRSA6AJ-203W	MG RESISTOR 20kΩ,1/16W
R3320		NRSA6AJ-102W	MG RESISTOR 1kΩ,1/16W	R3722		NRSA6AJ-103W	MG RESISTOR 10kΩ,1/16W
R3322		NRSA6AJ-222W	MG RESISTOR 2.2kΩ,1/16W	R3723		NRSA6AJ-103W	MG RESISTOR 10kΩ,1/16W
R3323		NRSA6AJ-823W	MG RESISTOR 82kΩ,1/16W	R3724		NRSA6AJ-103W	MG RESISTOR 10kΩ,1/16W
R3324		NRSA6AJ-223W	MG RESISTOR 22kΩ,1/16W	R3725		NRSA6AJ-100W	MG RESISTOR 10Ω,1/16W
R3325		NRSA6AJ-103W	MG RESISTOR 10kΩ,1/16W	R3726		NRSA6AJ-100W	MG RESISTOR 10Ω,1/16W
R3326		NRSA6AJ-103W	MG RESISTOR 10kΩ,1/16W	R3727		NRSA6AJ-680W	MG RESISTOR 68Ω,1/16W
R3327		NRSA6AJ-103W	MG RESISTOR 10kΩ,1/16W	R3728		NRSA6AJ-821W	MG RESISTOR 820Ω,1/16W
R3328		NRSA6AJ-822W	MG RESISTOR 8.2kΩ,1/16W	R3731		NRVA6AD-681W	CMF RESISTOR 680Ω,1/16W
R3329		NRSA6AJ-105W	MG RESISTOR 1MΩ,1/16W	R3732		NRVA6AD-472W	CMF RESISTOR 4.7kΩ,1/16W
R3330		NRSA6AJ-473W	MG RESISTOR 47kΩ,1/16W	R3733		NRVA6AD-332W	CMF RESISTOR 3.3kΩ,1/16W
R3331		NRSA6AJ-473W	MG RESISTOR 47kΩ,1/16W	R3734		NRSA6AJ-222W	MG RESISTOR 2.2kΩ,1/16W
R3332		NRSA6AJ-104W	MG RESISTOR 100kΩ,1/16W	R4101		NRSA6AJ-104W	MG RESISTOR 100kΩ,1/16W
R3333		NRSA6AJ-333W	MG RESISTOR 33kΩ,1/16W	R4208		NRSA6AJ-223W	MG RESISTOR 22kΩ,1/16W
R3334		NRSA6AJ-105W	MG RESISTOR 1MΩ,1/16W	R4209		NRSA6AJ-220W	MG RESISTOR 22Ω,1/16W
R3335		NRSA6AJ-822W	MG RESISTOR 8.2kΩ,1/16W	R4211		NRSA6AJ-221W	MG RESISTOR 220Ω,1/16W
R3336		NRSA6AJ-103W	MG RESISTOR 10kΩ,1/16W	R4212		NRSA6AJ-221W	MG RESISTOR 220Ω,1/16W
R3337		NRSA6AJ-103W	MG RESISTOR 10kΩ,1/16W	R4213		NRSA6AJ-221W	MG RESISTOR 220Ω,1/16W
R3338		NRSA6AJ-153W	MG RESISTOR 15kΩ,1/16W	R4214		NRSA6AJ-221W	MG RESISTOR 220Ω,1/16W
R3339		NRSA6AJ-273W	MG RESISTOR 27kΩ,1/16W	R4215		NRSA6AJ-221W	MG RESISTOR 220Ω,1/16W
R3341		NRSA6AJ-223W	MG RESISTOR 22kΩ,1/16W	R4216		NRSA6AJ-221W	MG RESISTOR 220Ω,1/16W
R3342		NRSA6AJ-102W	MG RESISTOR 1kΩ,1/16W	R4217		NRSA6AJ-221W	MG RESISTOR 220Ω,1/16W
R3344		NRSA6AJ-470W	MG RESISTOR 47Ω,1/16W	R4218		NRSA6AJ-221W	MG RESISTOR 220Ω,1/16W
R3349		NRSA6AJ-0R0W	MG RESISTOR 0Ω,1/16W	R4219		NRSA6AJ-221W	MG RESISTOR 220Ω,1/16W
R3350		NRSA6AJ-471W	MG RESISTOR 470Ω,1/16W	R4220		NRSA6AJ-221W	MG RESISTOR 220Ω,1/16W
R3351		NRSA6AJ-102W	MG RESISTOR 1kΩ,1/16W	R4302		NRSA6AJ-330W	MG RESISTOR 33Ω,1/16W
R3352		NRSA6AJ-562W	MG RESISTOR 5.6kΩ,1/16W	R4303		NRSA6AJ-101W	MG RESISTOR 100Ω,1/16W
R3353		NRSA6AJ-473W	MG RESISTOR 47kΩ,1/16W	R4304		NRSA6AJ-101W	MG RESISTOR 100Ω,1/16W
R3502		NRSA6AJ-471W	MG RESISTOR 470Ω,1/16W	R4305		NRSA6AJ-101W	MG RESISTOR 100Ω,1/16W
R3503		NRSA6AJ-103W	MG RESISTOR 10kΩ,1/16W	R4306		NRSA6AJ-101W	MG RESISTOR 100Ω,1/16W
R3504		NRSA6AJ-471W	MG RESISTOR 470Ω,1/16W	R4308		NRSA6AJ-0R0W	MG RESISTOR 0Ω,1/16W

#	△	REF No.	PART No.	PART NAME, DESCRIPTION		#	△	REF No.	PART No.	PART NAME, DESCRIPTION	
R4313			NRSA6AJ-0R0W	MG RESISTOR	0Ω,1/16W	R5006			NRSA6AJ-220W	MG RESISTOR	22Ω,1/16W
R4314			NRSA6AJ-0R0W	MG RESISTOR	0Ω,1/16W	R5007			NRSA6AJ-220W	MG RESISTOR	22Ω,1/16W
R4315			NRSA6AJ-0R0W	MG RESISTOR	0Ω,1/16W	R5010			NRSA6AJ-330W	MG RESISTOR	33Ω,1/16W
R4316			NRSA6AJ-0R0W	MG RESISTOR	0Ω,1/16W	R5011			NRSA6AJ-330W	MG RESISTOR	33Ω,1/16W
R4317			NRSA6AJ-0R0W	MG RESISTOR	0Ω,1/16W	R5012			NRSA6AJ-220W	MG RESISTOR	22Ω,1/16W
R4318			NRSA6AJ-101W	MG RESISTOR	100Ω,1/16W	R5013			NRSA6AJ-0R0W	MG RESISTOR	0Ω,1/16W
R4320			NRSA6AJ-220W	MG RESISTOR	22Ω,1/16W	R5014			NRSA6AJ-220W	MG RESISTOR	22Ω,1/16W
R4321			NRSA6AJ-220W	MG RESISTOR	22Ω,1/16W	R5015			NRSA6AJ-220W	MG RESISTOR	22Ω,1/16W
R4322			NRSA6AJ-333W	MG RESISTOR	33kΩ,1/16W	R5016			NRSA6AJ-0R0W	MG RESISTOR	0Ω,1/16W
R4323			NRSA6AJ-333W	MG RESISTOR	33kΩ,1/16W	R5018			NRSA6AJ-330W	MG RESISTOR	33Ω,1/16W
R4327			NRSA6AJ-0R0W	MG RESISTOR	0Ω,1/16W	R5020			NRSA6AJ-220W	MG RESISTOR	22Ω,1/16W
R4328			NRSA6AJ-220W	MG RESISTOR	22Ω,1/16W	R5021			NRSA6AJ-220W	MG RESISTOR	22Ω,1/16W
R4329			NRSA6AJ-220W	MG RESISTOR	22Ω,1/16W	R5022			NRSA6AJ-121W	MG RESISTOR	120Ω,1/16W
R4334			NRSA6AJ-220W	MG RESISTOR	22Ω,1/16W	R5024			NRSA6AJ-330W	MG RESISTOR	33Ω,1/16W
R4335			NRSA6AJ-220W	MG RESISTOR	22Ω,1/16W	R5025			NRSA6AJ-330W	MG RESISTOR	33Ω,1/16W
R4336			NRSA6AJ-0R0W	MG RESISTOR	0Ω,1/16W	R5026			NRSA6AJ-220W	MG RESISTOR	22Ω,1/16W
R4338			NRSA6AJ-470W	MG RESISTOR	47Ω,1/16W	R5027			NRSA6AJ-330W	MG RESISTOR	33Ω,1/16W
R4339			NRSA6AJ-220W	MG RESISTOR	22Ω,1/16W	R5028			NRSA6AJ-330W	MG RESISTOR	33Ω,1/16W
R4340			NRSA6AJ-220W	MG RESISTOR	22Ω,1/16W	R6001			NRSA6AJ-104W	MG RESISTOR	100kΩ,1/16W
R4341			NRSA6AJ-220W	MG RESISTOR	22Ω,1/16W	R6002			NRVA6AD-183W	CMF RESISTOR	18kΩ,1/16W
R4342			NRSA6AJ-220W	MG RESISTOR	22Ω,1/16W	R6003			NRSA6AJ-104W	MG RESISTOR	100kΩ,1/16W
R4345			NRSA6AJ-220W	MG RESISTOR	22Ω,1/16W	R6004			NRSA6AJ-102W	MG RESISTOR	1kΩ,1/16W
R4347			NRSA6AJ-123W	MG RESISTOR	12kΩ,1/16W	R6005			NRSA6AJ-224W	MG RESISTOR	220kΩ,1/16W
R4348			NRSA6AJ-153W	MG RESISTOR	15kΩ,1/16W	R6006			NRSA6AJ-104W	MG RESISTOR	100kΩ,1/16W
R4351			NRSA6AJ-0R0W	MG RESISTOR	0Ω,1/16W	R6007			NRSA6AJ-104W	MG RESISTOR	100kΩ,1/16W
R4352			NRSA6AJ-0R0W	MG RESISTOR	0Ω,1/16W	R6009			NRSA6AJ-222W	MG RESISTOR	2.2kΩ,1/16W
R4353			NRSA6AJ-0R0W	MG RESISTOR	0Ω,1/16W	R6010			NRSA6AJ-104W	MG RESISTOR	100kΩ,1/16W
R4354			NRSA6AJ-0R0W	MG RESISTOR	0Ω,1/16W	R6011			NRSA6AJ-104W	MG RESISTOR	100kΩ,1/16W
R4355			NRVA6AD-333W	CMF RESISTOR	33kΩ,1/16W	R6012			NRSA6AD-823W	MG RESISTOR	82kΩ,1/16W
R4356			NRVA6AD-333W	CMF RESISTOR	33kΩ,1/16W	R6013			NRVA6AD-473W	CMF RESISTOR	47kΩ,1/16W
R4358			NRVA6AD-163W	CMF RESISTOR	16kΩ,1/16W	△ R6017			NRSA63J-102X	MG RESISTOR	1kΩ,1/16W
R4359			NRVA6AD-363W	CMF RESISTOR	36kΩ,1/16W	R6018			NRSA63J-471X	MG RESISTOR	470Ω,1/16W
R4360			NRVA6AD-163W	CMF RESISTOR	16kΩ,1/16W	R6019			NRSA63J-0R0X	MG RESISTOR	0Ω,1/16W
R4361			NRVA6AD-333W	CMF RESISTOR	33kΩ,1/16W	R6101			NRVA6AD-183W	CMF RESISTOR	18kΩ,1/16W
R4362			NRVA6AD-163W	CMF RESISTOR	16kΩ,1/16W	R6102			NRVA6AD-183W	CMF RESISTOR	18kΩ,1/16W
R4363			NRSA6AJ-153W	MG RESISTOR	15kΩ,1/16W	R6103			NRVA6AD-273W	CMF RESISTOR	27kΩ,1/16W
R4364			NRSA6AJ-103W	MG RESISTOR	10kΩ,1/16W	R6104			NRVA6AD-302W	CMF RESISTOR	3kΩ,1/16W
R4365			NRSA6AJ-0R0W	MG RESISTOR	0Ω,1/16W	R6105			NRVA6AD-473W	CMF RESISTOR	47kΩ,1/16W
R4367			NRSA6AJ-102W	MG RESISTOR	1kΩ,1/16W	R6106			NRVA6AD-242W	CMF RESISTOR	2.4kΩ,1/16W
R4369			NRVA6AD-181W	CMF RESISTOR	180Ω,1/16W	R6107			NRVA6AD-432W	CMF RESISTOR	4.3kΩ,1/16W
R4370			NRSA6AJ-102W	MG RESISTOR	1kΩ,1/16W	R6109			NRVA6AD-822W	CMF RESISTOR	8.2kΩ,1/16W
R4371			NRVA6AD-680W	CMF RESISTOR	68Ω,1/16W	R6110			NRVA6AD-473W	CMF RESISTOR	47kΩ,1/16W
R4372			NRSA6AJ-222W	MG RESISTOR	2.2kΩ,1/16W	R6111			NRVA6AD-243W	CMF RESISTOR	24kΩ,1/16W
R4373			NRSA6AJ-222W	MG RESISTOR	2.2kΩ,1/16W	R6112			NRVA6AD-182W	CMF RESISTOR	1.8kΩ,1/16W
R4374			NRVA6AD-560W	CMF RESISTOR	56Ω,1/16W	R6114			NRVA6AD-243W	CMF RESISTOR	24kΩ,1/16W
R4375			NRVA6AD-271W	CMF RESISTOR	270Ω,1/16W	R6115			NRVA6AD-302W	CMF RESISTOR	3kΩ,1/16W
R4376			NRSA6AJ-222W	MG RESISTOR	2.2kΩ,1/16W	R6117			NRVA6AD-512W	CMF RESISTOR	5.1kΩ,1/16W
R4377			NRVA6AD-270W	CMF RESISTOR	27Ω,1/16W	R6118			NRVA6AD-472W	CMF RESISTOR	4.7kΩ,1/16W
R4378			NRSA6AJ-222W	MG RESISTOR	2.2kΩ,1/16W	R6120			NRVA6AD-153W	CMF RESISTOR	15kΩ,1/16W
R4379			NRVA6AD-273W	CMF RESISTOR	27kΩ,1/16W	R6122			NRVA6AD-623W	CMF RESISTOR	62kΩ,1/16W
R4381			NRVA6AD-273W	CMF RESISTOR	27kΩ,1/16W	R6123			NRVA63D-682X	CMF RESISTOR	6.8kΩ,1/16W
R4382			NRVA6AD-273W	CMF RESISTOR	27kΩ,1/16W	R6124			NRVA6AD-223W	CMF RESISTOR	22kΩ,1/16W
R4383			NRSA6AJ-221W	MG RESISTOR	220Ω,1/16W	R6125			NRVA6AD-473W	CMF RESISTOR	47kΩ,1/16W
R4384			NRSA6AJ-221W	MG RESISTOR	220Ω,1/16W	R6126			NRVA63D-682X	CMF RESISTOR	6.8kΩ,1/16W
R4385			NRSA6AJ-221W	MG RESISTOR	220Ω,1/16W	R6127			NRVA6AD-223W	CMF RESISTOR	22kΩ,1/16W
R4386			NRSA6AJ-221W	MG RESISTOR	220Ω,1/16W	R6128			NRVA6AD-123W	CMF RESISTOR	12kΩ,1/16W
R4387			NRSA6AJ-221W	MG RESISTOR	220Ω,1/16W	R6129			NRVA6AD-473W	CMF RESISTOR	47kΩ,1/16W
R4388			NRSA6AJ-221W	MG RESISTOR	220Ω,1/16W	R6131			NRVA6AD-272W	CMF RESISTOR	2.7kΩ,1/16W
R4389			NRSA6AJ-221W	MG RESISTOR	220Ω,1/16W	R6132			NRVA6AD-302W	CMF RESISTOR	3kΩ,1/16W
R4390			NRSA6AJ-221W	MG RESISTOR	220Ω,1/16W	R6134			NRVA6AD-562W	CMF RESISTOR	5.6kΩ,1/16W
R5005			NRSA6AJ-220W	MG RESISTOR	22Ω,1/16W	R6135			NRVA6AD-102W	CMF RESISTOR	1kΩ,1/16W

#	△ REF No.	PART No.	PART NAME, DESCRIPTION	#	△ REF No.	PART No.	PART NAME, DESCRIPTION
R6136		NRVA6AD-562W	CMF RESISTOR 5.6kΩ,1/16W	R8050		NRSA6AJ-0R0W	MG RESISTOR,DVM90UM 0Ω,1/16W
R6138		NRVA6AD-333W	CMF RESISTOR 33kΩ,1/16W	R8051		NRSA6AJ-0R0W	MG RESISTOR,DVM90UM 0Ω,1/16W
R6139		NRVA6AD-272W	CMF RESISTOR 2.7kΩ,1/16W	R8064		NRSA6AJ-0R0W	MG RESISTOR,DVM90UM 0Ω,1/16W
R6140		NRVA6AD-302W	CMF RESISTOR 3kΩ,1/16W	R8065		NRSA6AJ-101W	MG RESISTOR,DVM90UM 100Ω,1/16W
R6142		NRVA6AD-562W	CMF RESISTOR 5.6kΩ,1/16W	R8069		NRSA6AJ-0R0W	MG RESISTOR,DVM90UM 0Ω,1/16W
R6143		NRVA6AD-682W	CMF RESISTOR 6.8kΩ,1/16W	R8076		NRSA6AJ-103W	MG RESISTOR,DVM90UM 10kΩ,1/16W
R6144		NRVA6AD-392W	CMF RESISTOR 3.9kΩ,1/16W	R8077		NRSA6AJ-101W	MG RESISTOR,DVM90UM 100Ω,1/16W
R6146		NRVA6AD-472W	CMF RESISTOR 4.7kΩ,1/16W	R8101		NRSA6AJ-473W	MG RESISTOR,DVM90UM 47kΩ,1/16W
R6147		NRSA6AJ-4R7W	MG RESISTOR 4.7Ω,1/16W	R8102		NRSA6AJ-0R0W	MG RESISTOR,DVM90UM 0Ω,1/16W
R6148		NRSA6AJ-4R7W	MG RESISTOR 4.7Ω,1/16W	R8104		NRSA6AJ-473W	MG RESISTOR,DVM90UM 47kΩ,1/16W
R6151		NRSA6AJ-4R7W	MG RESISTOR 4.7Ω,1/16W	R8105		NRSA6AJ-473W	MG RESISTOR,DVM90UM 47kΩ,1/16W
R6152		NRSA6AJ-4R7W	MG RESISTOR 4.7Ω,1/16W	R8106		NRSA6AJ-221W	MG RESISTOR,DVM90UM 220Ω,1/16W
R6155		NRSA6AJ-330W	MG RESISTOR 33Ω,1/16W	R8107		NRSA6AJ-221W	MG RESISTOR,DVM90UM 220Ω,1/16W
R6156		NRSA6AJ-4R7W	MG RESISTOR 4.7Ω,1/16W	R8108		NRSA6AJ-473W	MG RESISTOR,DVM90UM 47kΩ,1/16W
R6157		NRSA6AJ-330W	MG RESISTOR 33Ω,1/16W	R8109		NRSA6AJ-0R0W	MG RESISTOR,DVM90UM 0Ω,1/16W
R6158		NRSA6AJ-330W	MG RESISTOR 33Ω,1/16W	R8110		NRSA6AJ-473W	MG RESISTOR,DVM90UM 47kΩ,1/16W
R6159		NRSA6AJ-102W	MG RESISTOR 1kΩ,1/16W	R8111		NRSA6AJ-0R0W	MG RESISTOR,DVM90UM 0Ω,1/16W
R6163		NRSA6AJ-0R0W	MG RESISTOR 0Ω,1/16W	R8112		NRSA6AJ-0R0W	MG RESISTOR,DVM90UM 0Ω,1/16W
R6171		NRSA6AJ-0R0W	MG RESISTOR 0Ω,1/16W	R8113		NRSA6AJ-0R0W	MG RESISTOR,DVM90UM 0Ω,1/16W
R6201		NRSA6AJ-473W	MG RESISTOR 47kΩ,1/16W	R8115		NRSA6AJ-221W	MG RESISTOR,DVM90UM 220Ω,1/16W
R6202		NRVA6AD-273W	CMF RESISTOR 27kΩ,1/16W	R8116		NRSA6AJ-473W	MG RESISTOR,DVM90UM 47kΩ,1/16W
R6203		NRVA6AD-153W	CMF RESISTOR 15kΩ,1/16W	R8117		NRSA6AJ-473W	MG RESISTOR,DVM90UM 47kΩ,1/16W
R6204		NRVA6AD-473W	CMF RESISTOR 47kΩ,1/16W	R8118		NRSA6AJ-221W	MG RESISTOR,DVM90UM 220Ω,1/16W
R6205		NRSA6AD-823W	MG RESISTOR 82kΩ,1/16W	R8119		NRSA6AJ-473W	MG RESISTOR,DVM90UM 47kΩ,1/16W
R6206		NRVA6AD-473W	CMF RESISTOR 47kΩ,1/16W	R8120		NRSA6AJ-221W	MG RESISTOR,DVM90UM 220Ω,1/16W
R6207		NRSA6AJ-222W	MG RESISTOR 2.2kΩ,1/16W	R8121		NRSA6AJ-0R0W	MG RESISTOR,DVM90UM 0Ω,1/16W
R6209		NRVA6AD-563W	CMF RESISTOR 56kΩ,1/16W	R8122		NRSA6AJ-105W	MG RESISTOR,DVM90UM 1MΩ,1/16W
R6210		NRVA6AD-683W	CMF RESISTOR 68kΩ,1/16W	R8124		NRSA6AJ-472W	MG RESISTOR,DVM90UM 4.7kΩ,1/16W
R6211		NRVA6AD-333W	CMF RESISTOR 33kΩ,1/16W	R8128		NRSA6AJ-472W	MG RESISTOR,DVM90UM 4.7kΩ,1/16W
R6212		NRVA6AD-333W	CMF RESISTOR 33kΩ,1/16W	R8129		NRSA6AJ-105W	MG RESISTOR,DVM90UM 1MΩ,1/16W
R6213		NRVA6AD-333W	CMF RESISTOR 33kΩ,1/16W	R8130		NRSA6AJ-101W	MG RESISTOR,DVM90UM 100Ω,1/16W
R6214		NRSA6AJ-102W	MG RESISTOR 1kΩ,1/16W	R8131		NRSA6AJ-0R0W	MG RESISTOR,DVM90UM 0Ω,1/16W
R6215		NRSA6AJ-222W	MG RESISTOR 2.2kΩ,1/16W	R8132		NRSA6AJ-680W	MG RESISTOR,DVM90UM 68Ω,1/16W
R6216		NRVA6AD-104W	CMF RESISTOR 100kΩ,1/16W	R8133		NRSA6AJ-0R0W	MG RESISTOR,DVM90UM 0Ω,1/16W
R6217		NRSA6AD-823W	MG RESISTOR 82kΩ,1/16W	R8134		NRSA6AJ-0R0W	MG RESISTOR,DVM90UM 0Ω,1/16W
R6301		NRSA63J-0R0X	MG RESISTOR 0Ω,1/16W	R8135		NRSA6AJ-0R0W	MG RESISTOR,DVM90UM 0Ω,1/16W
R6601		NRSA6AJ-822W	MG RESISTOR,DVM90UM 8.2kΩ,1/16W	RA1001		NRZ0034-102W	NETWORK RESISTOR 1kΩ
R6603		NRVA6AD-683W	CMF RESISTOR,DVM90UM 68kΩ,1/16W	RA1002		NRZ0034-102W	NETWORK RESISTOR 1kΩ
R6604		NRVA6AD-104W	CMF RESISTOR,DVM90UM 100kΩ,1/16W	RA1003		NRZ0034-104W	NETWORK RESISTOR 100kΩ
R6605		NRSA6AJ-184W	MG RESISTOR,DVM90UM 180kΩ,1/16W	RA1004		NRZ0034-104W	NETWORK RESISTOR 100kΩ
R6606		NRSA6AJ-823W	MG RESISTOR,DVM90UM 82kΩ,1/16W	RA1005		NRZ0034-102W	NETWORK RESISTOR 1kΩ
R6611		NRSA6AJ-335W	MG RESISTOR,DVM90UM 3.3MΩ,1/16W	RA1401		NRZ0034-473W	NETWORK RESISTOR 47kΩ
R6612		NRSA6AJ-474W	MG RESISTOR,DVM90UM 470kΩ,1/16W	RA1402		NRZ0034-102W	NETWORK RESISTOR 1kΩ
R6613		NRSA6AJ-473W	MG RESISTOR,DVM90UM 47kΩ,1/16W	RA1403		NRZ0034-102W	NETWORK RESISTOR 1kΩ
R6614		NRSA6AJ-473W	MG RESISTOR,DVM90UM 47kΩ,1/16W	RA1404		NRZ0034-102W	NETWORK RESISTOR 1kΩ
R6615		NRSA6AJ-684W	MG RESISTOR,DVM90UM 680kΩ,1/16W	RA1405		NRZ0034-102W	NETWORK RESISTOR 1kΩ
R6616		NRSA6AJ-333W	MG RESISTOR,DVM90UM 33kΩ,1/16W	RA4301		NRZ0034-221W	NETWORK RESISTOR,DVM90UM 220Ω
R8001		NRSA6AJ-103W	MG RESISTOR,DVM90UM 10kΩ,1/16W	RA4302		NRZ0034-221W	NETWORK RESISTOR,DVM90UM 220Ω
R8002		NRSA6AJ-101W	MG RESISTOR,DVM90UM 100Ω,1/16W	RA4303		NRZ0034-221W	NETWORK RESISTOR,DVM90UM 220Ω
R8003		NRSA6AJ-473W	MG RESISTOR,DVM90UM 47kΩ,1/16W	RA4304		NRZ0034-221W	NETWORK RESISTOR,DVM90UM 220Ω
R8004		NRSA6AJ-103W	MG RESISTOR,DVM90UM 10kΩ,1/16W	RA4307		NRZ0034-221W	NETWORK RESISTOR 220Ω
R8011		NRSA6AJ-473W	MG RESISTOR,DVM90UM 47kΩ,1/16W	RA4308		NRZ0034-221W	NETWORK RESISTOR 220Ω
R8012		NRSA6AJ-0R0W	MG RESISTOR,DVM90UM 0Ω,1/16W	RA8001		NRZ0034-100W	NETWORK RESISTOR,DVM90UM 10Ω
R8015		NRSA6AJ-0R0W	MG RESISTOR,DVM90UM 0Ω,1/16W	RA8002		NRZ0034-100W	NETWORK RESISTOR,DVM90UM 10Ω
R8016		NRVA6AD-133W	CMF RESISTOR,DVM90UM 13kΩ,1/16W	RA8003		NRZ0034-100W	NETWORK RESISTOR,DVM90UM 10Ω
R8017		NRSA6AJ-0R0W	MG RESISTOR,DVM90UM 0Ω,1/16W	RA8004		NRZ0034-100W	NETWORK RESISTOR,DVM90UM 10Ω
R8018		NRSA6AJ-473W	MG RESISTOR,DVM90UM 47kΩ,1/16W	C1003		NCBA1AK-104W	CAPACITOR 0.1μF,10V
R8021		NRSA6AJ-103W	MG RESISTOR,DVM90UM 10kΩ,1/16W	C1005		NDCA1HJ-330W	CAPACITOR 33pF,50V
R8022		NRSA6AJ-101W	MG RESISTOR,DVM90UM 100Ω,1/16W	C1006		NDCA1HJ-150W	CAPACITOR 15pF,50V
R8023		NRSA6AJ-101W	MG RESISTOR,DVM90UM 100Ω,1/16W	C1007		NCBA1AK-104W	CAPACITOR 0.1μF,10V
R8049		NRSA6AJ-105W	MG RESISTOR,DVM90UM 1MΩ,1/16W	C1008		NCBA1CK-103W	CAPACITOR 0.01μF,16V

#	△	REF No.	PART No.	PART NAME, DESCRIPTION	#	△	REF No.	PART No.	PART NAME, DESCRIPTION
C1009			NCBA1AK-104W	CAPACITOR 0.1μF,10V	C3005			NDCA1HJ-8R0W	CAPACITOR 8pF,50V
C1010			NCBA1AK-104W	CAPACITOR 0.1μF,10V	C3006			NDCA1HJ-8R0W	CAPACITOR 8pF,50V
C1011			NCBA1AK-104W	CAPACITOR 0.1μF,10V	C3007			NCFA1AZ-104W	CAPACITOR 0.1μF,10V
C1012			NCBA1AK-104W	CAPACITOR 0.1μF,10V	C3010			NCFA1AZ-104W	CAPACITOR 0.1μF,10V
C1013			NDCA1HJ-130W	CAPACITOR 13pF,50V	C3011			NCFA1AZ-104W	CAPACITOR 0.1μF,10V
C1015			NCBA1CK-103W	CAPACITOR 0.01μF,16V	C3012			NCFA1AZ-104W	CAPACITOR 0.1μF,10V
C1017			NCBA1AK-104W	CAPACITOR 0.1μF,10V	C3013			NCFA1AZ-104W	CAPACITOR 0.1μF,10V
C1019			NCBA1AK-104W	CAPACITOR 0.1μF,10V	C3014			NCFA1AZ-104W	CAPACITOR 0.1μF,10V
C1020			NCBA1AK-104W	CAPACITOR 0.1μF,10V	C3015			NCFA1AZ-104W	CAPACITOR 0.1μF,10V
C1022			NBM90JM-226X	T CAPACITOR 22μF,6.3V	C3016			NCFA1AZ-104W	CAPACITOR 0.1μF,10V
C1023			NBM90JM-226X	T CAPACITOR 22μF,6.3V	C3017			NCBA1CK-103W	CAPACITOR 0.01μF,16V
C1101			NCBA1AK-104W	CAPACITOR 0.1μF,10V	C3018			NCBA1AK-104W	CAPACITOR 0.1μF,10V
C1102			NCBA1CK-223W	CAPACITOR 0.022μF,16V	C3019			NCBA1CK-103W	CAPACITOR 0.01μF,16V
C1103			NCBA1CK-223W	CAPACITOR 0.022μF,16V	C3021			NCB21CK-474X	CAPACITOR 0.47μF,16V
C1111			NCB30JK-105X	CAPACITOR 1μF,6.3V	C3032			NCBA1AK-104W	CAPACITOR 0.1μF,10V
C1112			NBE90JM-106X	T CAPACITOR 10μF,6.3V	C3041			NCBA1CK-103W	CAPACITOR 0.01μF,16V
C1113			NBE90JM-106X	T CAPACITOR 10μF,6.3V	C3042			NCFA1AZ-104W	CAPACITOR 0.1μF,10V
C1401			NBE90JM-106X	T CAPACITOR 10μF,6.3V	C3046			NCBA1CK-103W	CAPACITOR 0.01μF,16V
C1402			NBE90JM-106X	T CAPACITOR 10μF,6.3V	C3047			NCBA1AK-104W	CAPACITOR 0.1μF,10V
C1403			NCBA1CK-103W	CAPACITOR 0.01μF,16V	C3101			NCBA1AK-104W	CAPACITOR 0.1μF,10V
C1405			NCFA1AZ-104W	CAPACITOR 0.1μF,10V	C3104			NDCA1EJ-271W	CAPACITOR 270pF,25V
C1406			NCFA1AZ-104W	CAPACITOR 0.1μF,10V	C3105			NCB30JK-105X	CAPACITOR 1μF,6.3V
C1408			NCFA1AZ-104W	CAPACITOR 0.1μF,10V	C3106			NCB30JK-105X	CAPACITOR 1μF,6.3V
C1409			NCFA1AZ-104W	CAPACITOR 0.1μF,10V	C3107			NCB30JK-105X	CAPACITOR 1μF,6.3V
C1410			NCFA1AZ-104W	CAPACITOR 0.1μF,10V	C3108			NCBA1AK-104W	CAPACITOR 0.1μF,10V
C1411			NCFA1AZ-104W	CAPACITOR 0.1μF,10V	C3109			NCBA1AK-104W	CAPACITOR 0.1μF,10V
C1412			NCFA1AZ-104W	CAPACITOR 0.1μF,10V	C3110			NCBA1CK-103W	CAPACITOR 0.01μF,16V
C1413			NCFA1AZ-104W	CAPACITOR 0.1μF,10V	C3111			NBE90JM-106X	T CAPACITOR 10μF,6.3V
C1414			NCBA1CK-103W	CAPACITOR 0.01μF,16V	C3112			NBE90JM-106X	T CAPACITOR 10μF,6.3V
C1415			NCBA1CK-103W	CAPACITOR 0.01μF,16V	C3201			NBE90JM-106X	T CAPACITOR 10μF,6.3V
C1416			NCBA1CK-103W	CAPACITOR 0.01μF,16V	C3202			NCB30JK-105X	CAPACITOR 1μF,6.3V
C1420			NCBA1CK-103W	CAPACITOR 0.01μF,16V	C3203			NBZ0001-106X	T CAPACITOR 10μF,6.3V
C1421			NCBA1CK-103W	CAPACITOR 0.01μF,16V	C3205			NCFA1AZ-104W	CAPACITOR 0.1μF,10V
C1422			NCBA1CK-103W	CAPACITOR 0.01μF,16V	C3206			NCFA1AZ-104W	CAPACITOR 0.1μF,10V
C1423			NCBA1CK-103W	CAPACITOR 0.01μF,16V	C3207			NCFA1AZ-104W	CAPACITOR 0.1μF,10V
C1424			NCBA1CK-103W	CAPACITOR 0.01μF,16V	C3208			NCFA1AZ-104W	CAPACITOR 0.1μF,10V
C1425			NCBA1CK-103W	CAPACITOR 0.01μF,16V	C3209			NCBA1AK-104W	CAPACITOR 0.1μF,10V
C1426			NCBA1CK-103W	CAPACITOR 0.01μF,16V	C3210			NCFA1AZ-104W	CAPACITOR 0.1μF,10V
C1427			NCBA1CK-223W	CAPACITOR 0.022μF,16V	C3211			NCFA1AZ-104W	CAPACITOR 0.1μF,10V
C1428			NCBA1CK-223W	CAPACITOR 0.022μF,16V	C3212			NCFA1AZ-104W	CAPACITOR 0.1μF,10V
C1429			NCBA1CK-223W	CAPACITOR 0.022μF,16V	C3213			NCBA1CK-103W	CAPACITOR 0.01μF,16V
C1430			NCBA1CK-223W	CAPACITOR 0.022μF,16V	C3214			NCBA1AK-104W	CAPACITOR 0.1μF,10V
C1431			NCB30JK-105X	CAPACITOR 1μF,6.3V	C3215			NCFA1AZ-104W	CAPACITOR 0.1μF,10V
C1440			NCBA1CK-103W	CAPACITOR 0.01μF,16V	C3216			NCFA1AZ-104W	CAPACITOR 0.1μF,10V
C1441			NCBA1CK-103W	CAPACITOR 0.01μF,16V	C3217			NCFA1AZ-104W	CAPACITOR 0.1μF,10V
C2704			NCB31CK-473X	CAPACITOR 0.047μF,16V	C3218			NCBA1AK-104W	CAPACITOR 0.1μF,10V
C2705			NCBA1AK-104W	CAPACITOR 0.1μF,10V	C3221			NCBA1CK-103W	CAPACITOR 0.01μF,16V
C2751			NBE20JM-106X	T CAPACITOR 10μF,6.3V	C3222			NCFA1AZ-104W	CAPACITOR 0.1μF,10V
C2752			PECA1172	CHIP TA E CAPACITOR 47μF,6.3V	C3301			NCB30JK-105X	CAPACITOR 1μF,6.3V
C2753			NCB30JK-105X	CAPACITOR 1μF,6.3V	C3302			NBE90JM-106X	T CAPACITOR 10μF,6.3V
C2754			NCB30JK-105X	CAPACITOR 1μF,6.3V	C3303			NBE90JM-106X	T CAPACITOR 10μF,6.3V
C2756			NCB31HK-822X	CAPACITOR 0.0082μF,50V	C3304			NCB30JK-105X	CAPACITOR 1μF,6.3V
C2757			NCB31HK-822X	CAPACITOR 0.0082μF,50V	C3305			NCBA1CK-103W	CAPACITOR 0.01μF,16V
C2758			NBE81AM-106X	T CAPACITOR 10μF,10V	C3306			NCBA1CK-103W	CAPACITOR 0.01μF,16V
C2762			NCF31AZ-105X	CAPACITOR 1μF,10V	C3308			NCBA1CK-103W	CAPACITOR 0.01μF,16V
C2763			NBE40JM-476X	T CAPACITOR 47μF,6.3V	C3309			NCBA1HK-102W	CAPACITOR 0.001μF,50V
C2764			NCBA1AK-104W	CAPACITOR 0.1μF,10V	C3310			NDCA1HJ-151W	CAPACITOR 150pF,50V
C2765			NDCA1HJ-101W	CAPACITOR 100pF,50V	C3311			NCBA1CK-103W	CAPACITOR 0.01μF,16V
C3001			NBE90GM-226X	T CAPACITOR 22μF,4.0V	C3312			NCBA1CK-103W	CAPACITOR 0.01μF,16V
C3003			NCB30JK-105X	CAPACITOR 1μF,6.3V	C3313			NCBA1AK-104W	CAPACITOR 0.1μF,10V
C3004			NBE90JM-106X	T CAPACITOR 10μF,6.3V	C3314			NCBA1CK-103W	CAPACITOR 0.01μF,16V

#	△ REF No.	PART No.	PART NAME, DESCRIPTION	#	△ REF No.	PART No.	PART NAME, DESCRIPTION	
C3315		NCBA1CK-103W	CAPACITOR	0.01μF,16V	C3715	NBE90JM-106X	T CAPACITOR	10μF,6.3V
C3316		NCB20JK-225X	CAPACITOR	2.2μF,6.3V	C3721	NBE20JM-226X	T CAPACITOR	22μF,6.3V
C3317		NCBA1AK-104W	CAPACITOR	0.1μF,10V	C3722	NCB30JK-105X	CAPACITOR	1μF,6.3V
C3318		NCBA1AK-683W	CAPACITOR	0.068μF,10V	C3723	NBE90JM-106X	T CAPACITOR	10μF,6.3V
C3319		NCB20JK-225X	CAPACITOR	2.2μF,6.3V	C3724	NCBA1CK-103W	CAPACITOR	0.01μF,16V
C3320		NCBA1AK-333W	CAPACITOR	0.033μF,10V	C3731	NDCA1HJ-120W	CAPACITOR	12pF,50V
C3321		NCBA1CK-103W	CAPACITOR	0.01μF,16V	C3732	NDCA1HJ-150W	CAPACITOR	15pF,50V
C3322		NCBA1AK-104W	CAPACITOR	0.1μF,10V	C3733	NDCA1HJ-470W	CAPACITOR	47pF,50V
C3324		NCBA1CK-103W	CAPACITOR	0.01μF,16V	C3734	NDCA1HJ-390W	CAPACITOR	39pF,50V
C3325		NCBA1CK-103W	CAPACITOR	0.01μF,16V	C3735	NCBA1CK-103W	CAPACITOR	0.01μF,16V
C3326		NCBA1AK-104W	CAPACITOR	0.1μF,10V	C3736	NCB31CK-104X	CAPACITOR	0.1μF,16V
C3327		NCBA1AK-104W	CAPACITOR	0.1μF,10V	C4101	NCF31EZ-104X	CAPACITOR	0.1μF,25V
C3328		NCBA1AK-104W	CAPACITOR	0.1μF,10V	C4102	NBP41EM-475X	T CAPACITOR	4.7μF,25V
C3329		NCBA1CK-103W	CAPACITOR	0.01μF,16V	C4103	NCF31EZ-104X	CAPACITOR	0.1μF,25V
C3330		NDCA1HJ-100W	CAPACITOR	10pF,50V	C4104	NCBA1AK-104W	CAPACITOR	0.1μF,10V
C3331		NCBA1AK-104W	CAPACITOR	0.1μF,10V	C4105	NBE41AM-476X	T CAPACITOR	47μF,10V
C3332		NCBA1CK-103W	CAPACITOR	0.01μF,16V	C4106	NCBA1AK-104W	CAPACITOR	0.1μF,10V
C3501		NCBA1CK-103W	CAPACITOR	0.01μF,16V	C4107	NCBA1AK-104W	CAPACITOR	0.1μF,10V
C3502		NCB30JK-105X	CAPACITOR	1μF,6.3V	C4109	NCF31EZ-104X	CAPACITOR	0.1μF,25V
C3503		NCBA1CK-103W	CAPACITOR	0.01μF,16V	C4111	NBP21VM-105X	T CAPACITOR	1μF,35V
C3504		NCBA1CK-103W	CAPACITOR	0.01μF,16V	C4201	NBE40JM-476X	T CAPACITOR	47μF,6.3V
C3505		NCBA1CK-103W	CAPACITOR	0.01μF,16V	C4202	NBE20GM-476X	T CAPACITOR	47μF,4.0V
C3506		NCBA1HK-152W	CAPACITOR	0.0015μF,50V	C4203	NCBA1CK-103W	CAPACITOR	0.01μF,16V
C3507		NBE90JM-106X	T CAPACITOR	10μF,6.3V	C4204	NCBA1AK-104W	CAPACITOR	0.1μF,10V
C3508		NDCA1HJ-330W	CAPACITOR	33pF,50V	C4205	NBE20GM-476X	T CAPACITOR	47μF,4.0V
C3509		NCBA1CK-103W	CAPACITOR	0.01μF,16V	C4207	NBE90JM-106X	T CAPACITOR	10μF,6.3V
C3510		NCBA1CK-103W	CAPACITOR	0.01μF,16V	C4208	NBE41AM-476X	T CAPACITOR	47μF,10V
C3511		NDCA1HJ-220W	CAPACITOR	22pF,50V	C4209	NBE41AM-476X	T CAPACITOR	47μF,10V
C3512		NBE90JM-106X	T CAPACITOR	10μF,6.3V	C4210	NCBA1AK-104W	CAPACITOR	0.1μF,10V
C3513		NCBA1CK-103W	CAPACITOR	0.01μF,16V	C4211	NCF31EZ-104X	CAPACITOR	0.1μF,25V
C3514		NBE90JM-106X	T CAPACITOR	10μF,6.3V	C4212	NBP41DM-106X	T CAPACITOR	10μF,20V
C3515		NDCA1HJ-220W	CAPACITOR	22pF,50V	C4215	NCBA1AK-104W	CAPACITOR	0.1μF,10V
C3516		NCBA1CK-103W	CAPACITOR	0.01μF,16V	C4216	NCBA1AK-104W	CAPACITOR	0.1μF,10V
C3517		NCBA1CK-103W	CAPACITOR	0.01μF,16V	C4217	NCBA1CK-123W	CAPACITOR	0.012μF,16V
C3518		NDCA1HJ-330W	CAPACITOR	33pF,50V	C4218	NCBA1AK-104W	CAPACITOR	0.1μF,10V
C3519		NBE90JM-106X	T CAPACITOR	10μF,6.3V	C4219	NCB30JK-474X	CAPACITOR	0.47μF,6.3V
C3520		NCBA1HK-152W	CAPACITOR	0.0015μF,50V	C4220	NCB30JK-105X	CAPACITOR	1μF,6.3V
C3521		NCBA1HK-122W	CAPACITOR	0.0012μF,50V	C4221	NCB30JK-105X	CAPACITOR	1μF,6.3V
C3522		NCBA1CK-103W	CAPACITOR	0.01μF,16V	C4222	NCB30JK-105X	CAPACITOR	1μF,6.3V
C3523		NCBA1CK-103W	CAPACITOR	0.01μF,16V	C4223	NCBA1AK-104W	CAPACITOR	0.1μF,10V
C3524		NDCA1HJ-470W	CAPACITOR	47pF,50V	C4224	NCB30JK-105X	CAPACITOR	1μF,6.3V
C3525		NCBA1HK-681W	CAPACITOR	680pF,50V	C4225	NCB30JK-105X	CAPACITOR	1μF,6.3V
C3526		NBE90JM-106X	T CAPACITOR	10μF,6.3V	C4226	NCBA1AK-104W	CAPACITOR	0.1μF,10V
C3527		NBE90JM-106X	T CAPACITOR	10μF,6.3V	C4227	NCBA1AK-104W	CAPACITOR	0.1μF,10V
C3528		NBE90JM-106X	T CAPACITOR	10μF,6.3V	C4228	NCBA1CK-103W	CAPACITOR	0.01μF,16V
C3529		NCBA1AK-104W	CAPACITOR	0.1μF,10V	C4229	NCBA1CK-103W	CAPACITOR	0.01μF,16V
C3551		NBE40JM-476X	T CAPACITOR	47μF,6.3V	C4230	NCBA1CK-103W	CAPACITOR	0.01μF,16V
C3552		NCBA1CK-103W	CAPACITOR	0.01μF,16V	C4231	NCBA1CK-103W	CAPACITOR	0.01μF,16V
C3702		NCBA1CK-103W	CAPACITOR	0.01μF,16V	C4233	NCBA1CK-103W	CAPACITOR	0.01μF,16V
C3703		NCBA1CK-103W	CAPACITOR	0.01μF,16V	C4301	NCB30JK-105X	CAPACITOR	1μF,6.3V
C3704		NBE90JM-106X	T CAPACITOR	10μF,6.3V	C4302	NBE90JM-106X	T CAPACITOR	10μF,6.3V
C3705		NBE40GM-107X	T CAPACITOR	100μF,4.0V	C4303	NCBA1AK-104W	CAPACITOR	0.1μF,10V
C3706		NBE90GM-226X	T CAPACITOR	22μF,4.0V	C4304	NBE90JM-106X	T CAPACITOR	10μF,6.3V
C3707		NBZ0002-227X	T CAPACITOR	220μF,2.5V	C4305	NBE90JM-106X	T CAPACITOR	10μF,6.3V
C3708		NBZ0002-227X	T CAPACITOR	220μF,2.5V	C4306	NCB30JK-105X	CAPACITOR	1μF,6.3V
C3709		NCBA1CK-103W	CAPACITOR	0.01μF,16V	C4307	NBE90JM-106X	T CAPACITOR	10μF,6.3V
C3710		NCBA1AK-104W	CAPACITOR	0.1μF,10V	C4308	NCBA1AK-104W	CAPACITOR	0.1μF,10V
C3711		NCBA1AK-104W	CAPACITOR	0.1μF,10V	C4309	NCBA1AK-104W	CAPACITOR	0.1μF,10V
C3712		NRSA6AJ-0R0W	MG RESISTOR	0Ω,1/16W	C4310	NBG40GM-226X	T CAPACITOR	22μF,4.0V
C3713		NCBA1CK-103W	CAPACITOR	0.01μF,16V	C4312	NCBA1AK-104W	CAPACITOR	0.1μF,10V
C3714		NCBA1CK-103W	CAPACITOR	0.01μF,16V	C4313	NCBA1AK-104W	CAPACITOR	0.1μF,10V

#	△	REF No.	PART No.	PART NAME, DESCRIPTION	#	△	REF No.	PART No.	PART NAME, DESCRIPTION
C4315			NCBA1AK-104W	CAPACITOR	C6115			NDCA1HJ-121W	CAPACITOR
C4316			NCBA1AK-104W	CAPACITOR	C6116			NCBA1AK-104W	CAPACITOR
C4317			NCBA1AK-104W	CAPACITOR	C6117			NCBA1AK-104W	CAPACITOR
C4318			NCBA1AK-104W	CAPACITOR	C6118			NBP41CM-106X	T CAPACITOR
C4319			NCBA1AK-104W	CAPACITOR	C6119			NCB31EK-103X	CAPACITOR
C4320			NCBA1AK-104W	CAPACITOR	C6120			NCBA1AK-104W	CAPACITOR
C4321			NCBA1AK-104W	CAPACITOR	C6122			NCBA1AK-104W	CAPACITOR
C4323			NCBA1AK-104W	CAPACITOR	C6124			NCBA1AK-104W	CAPACITOR
C4324			NCBA1HK-331W	CAPACITOR	C6126			NCBA1AK-104W	CAPACITOR
C4351			NCBA1AK-104W	CAPACITOR	C6128			NCB21AK-105X	CAPACITOR
C4352			NCBA1AK-104W	CAPACITOR	C6129			NCB21AK-105X	CAPACITOR
C4353			NCB30JK-105X	CAPACITOR	C6130			NCB21AK-105X	CAPACITOR
C4355			NCB30JK-105X	CAPACITOR	C6131			NCB21AK-105X	CAPACITOR
C4357			NCB30JK-105X	CAPACITOR	C6132			NBG41AM-106X	T CAPACITOR
C4359			NCB30JK-105X	CAPACITOR	C6133			NCB21AK-105X	CAPACITOR
C4361			NCBA1AK-104W	CAPACITOR	C6134			NCB11AK-225X-A	CAPACITOR
C4362			NCBA1AK-104W	CAPACITOR	C6135			NCB21AK-105X	CAPACITOR
C4363			NCBA1AK-104W	CAPACITOR	C6136			NCB11AK-475X	CAPACITOR
C4364			NCBA1AK-104W	CAPACITOR	C6138			NCB21AK-105X	CAPACITOR
C4365			NBE90JM-106X	T CAPACITOR	C6145			NCB21AK-105X	CAPACITOR
C4401			NBE90GM-226X	T CAPACITOR	C6146			NBG41AM-106X	T CAPACITOR
C4402			NCBA1CK-103W	CAPACITOR	C6147			NBG41AM-106X	T CAPACITOR
C5001			NCBA1AK-104W	CAPACITOR	C6148			NCB11AK-475X	CAPACITOR
C5002			NCBA1AK-104W	CAPACITOR	C6150			NCB21AK-105X	CAPACITOR
C5003			NBE40JM-476X	T CAPACITOR	C6151			NCB10JK-106X	CAPACITOR
C5004			NCBA1AK-104W	CAPACITOR	C6153			NCB21AK-105X	CAPACITOR
C5005			NCBA1AK-104W	CAPACITOR	C6154			NCB10JK-106X	CAPACITOR
C5006			NCBA1AK-104W	CAPACITOR	C6156			NCB21AK-105X	CAPACITOR
C5007			NCB30JK-105X	CAPACITOR	C6157			NCB11AK-475X	CAPACITOR
C5008			NBE90JM-106X	T CAPACITOR	C6158			NCB20JK-225X	CAPACITOR
C5009			NCBA1AK-104W	CAPACITOR	C6159			NCB20JK-225X	CAPACITOR
C5011			NCBA1AK-104W	CAPACITOR	C6163			NCB21AK-105X	CAPACITOR
C5012			NCBA1AK-104W	CAPACITOR	C6201			NCB21CK-105X	CAPACITOR
C5013			NCBA1AK-104W	CAPACITOR	C6202			NCB11EK-105X	CAPACITOR
C5014			NBE90JM-106X	T CAPACITOR	C6203			NCBA1CK-103W	CAPACITOR
C5017			NCBA1AK-104W	CAPACITOR	C6204			NCB21CK-105X	CAPACITOR
C5018			NCB30JK-105X	CAPACITOR	C6205			NCB21CK-105X	CAPACITOR
C5019			NCB30JK-105X	CAPACITOR	C6206			NCB11CK-105X	CAPACITOR
C5214			NBE41AM-476X	T CAPACITOR	C6207			NCB11EK-105X	CAPACITOR
C5215			NBE41AM-476X	T CAPACITOR	C6208			NCB21CK-105X	CAPACITOR
C5216			NBE41AM-476X	T CAPACITOR	C6209			NCB21CK-105X	CAPACITOR
C5217			NCF31EZ-104X	CAPACITOR	C6210			NCB21CK-105X	CAPACITOR
C5218			NCBA1AK-104W	CAPACITOR	C6401			NCBA1CK-103W	CAPACITOR
C6001			NCBA1AK-104W	CAPACITOR	C6402			NBE91CM-105X	T CAPACITOR
C6002			NCBA1CK-103W	CAPACITOR	C6601			NCBA1CK-103W	CAPACITOR,DVM90UM
C6003			NCBA1AK-104W	CAPACITOR	C6602			NBE90JM-106X	T CAPACITOR,DVM90UM
C6004			NBE90JM-106X	T CAPACITOR	C6603			NCBA1HK-102W	CAPACITOR,DVM90UM
C6005			NBP21CM-685X	T CAPACITOR	C6604			NCBA1AK-473W	CAPACITOR,DVM90UM
C6006			NCF31AZ-105X	CAPACITOR	C6611			NCBA1CK-153W	CAPACITOR,DVM90UM
C6007			NBE90JM-106X	T CAPACITOR	C6612			NDCA1EJ-221W	CAPACITOR,DVM90UM
C6008			NCBA1AK-104W	CAPACITOR	C6613			NDCA1EJ-121W	CAPACITOR,DVM90UM
C6009			NCBA1CK-103W	CAPACITOR	C8001			NBE90JM-106X	T CAPACITOR,DVM90UM
C6101			NCB31AK-474X	CAPACITOR	C8002			NCBA1CK-103W	CAPACITOR,DVM90UM
C6102			NCB31AK-224X	CAPACITOR	C8003			NCBA1CK-103W	CAPACITOR,DVM90UM
C6103			NCB31CK-104X	CAPACITOR	C8004			NCBA1CK-103W	CAPACITOR,DVM90UM
C6104			NCBA1AK-104W	CAPACITOR	C8006			NCBA1AK-104W	CAPACITOR,DVM90UM
C6106			NCBA1AK-104W	CAPACITOR	C8007			NBE90JM-106X	T CAPACITOR,DVM90UM
C6108			NCBA1AK-104W	CAPACITOR	C8008			NCB30JK-105X	CAPACITOR,DVM90UM
C6110			NCBA1AK-104W	CAPACITOR	C8009			NCBA1AK-104W	CAPACITOR,DVM90UM
C6112			NCB31AK-224X	CAPACITOR	C8010			NBE90JM-106X	T CAPACITOR,DVM90UM
C6114			NDCA1HJ-100W	CAPACITOR	C8011			NCB30JK-105X	CAPACITOR,DVM90UM

#	△ REF No.	PART No.	PART NAME, DESCRIPTION	#	△ REF No.	PART No.	PART NAME, DESCRIPTION
C8017		NCBA1AK-104W	CAPACITOR,DVM90UM 0.1μF,10V	L1101		NQL402M-100X	COIL 10μH
C8020		NBE90JM-106X	T CAPACITOR,DVM90UM 10μF,6.3V	L1401		NQL302N-100X	COIL 10μH
C8021		NCBA1CK-103W	CAPACITOR,DVM90UM 0.01μF,16V	L1402		NRSA02J-0R0X	MG RESISTOR 0Ω,1/10W
C8022		NCBA1CK-103W	CAPACITOR,DVM90UM 0.01μF,16V	L2701		NRSA63J-0R0X	MG RESISTOR 0Ω,1/16W
C8023		NCBA1CK-103W	CAPACITOR,DVM90UM 0.01μF,16V	L2702		NRSA63J-0R0X	MG RESISTOR 0Ω,1/16W
C8024		NCBA1CK-103W	CAPACITOR,DVM90UM 0.01μF,16V	L3001		NQR0305-001X	FERRITE BEAD
C8025		NCBA1CK-103W	CAPACITOR,DVM90UM 0.01μF,16V	L3002		NQR0006-001X	FERRITE BEAD
C8026		NCBA1CK-103W	CAPACITOR,DVM90UM 0.01μF,16V	L3003		NQR0305-001X	FERRITE BEAD
C8027		NCBA1CK-103W	CAPACITOR,DVM90UM 0.01μF,16V	L3005		NQR0305-001X	FERRITE BEAD
C8028		NCBA1CK-103W	CAPACITOR,DVM90UM 0.01μF,16V	L3101		NQR0305-001X	FERRITE BEAD
C8029		NCBA1CK-103W	CAPACITOR,DVM90UM 0.01μF,16V	L3102		NQR0006-001X	FERRITE BEAD
C8030		NCBA1CK-103W	CAPACITOR,DVM90UM 0.01μF,16V	L3103		NQR0384-003X	COIL
C8031		NCBA1CK-103W	CAPACITOR,DVM90UM 0.01μF,16V	L3104		NQR0384-003X	COIL
C8032		NCBA1CK-103W	CAPACITOR,DVM90UM 0.01μF,16V	L3201		NQR0006-001X	FERRITE BEAD
C8033		NCBA1CK-103W	CAPACITOR,DVM90UM 0.01μF,16V	L3202		NQR0305-001X	FERRITE BEAD
C8034		NCBA1CK-103W	CAPACITOR,DVM90UM 0.01μF,16V	L3301		NQR0006-001X	FERRITE BEAD
C8035		NCBA1CK-103W	CAPACITOR,DVM90UM 0.01μF,16V	L3302		NQL04DK-100X	COIL 10μH
C8036		NCBA1CK-103W	CAPACITOR,DVM90UM 0.01μF,16V	L3303		NQL04DK-100X	COIL 10μH
C8037		NCBA1CK-103W	CAPACITOR,DVM90UM 0.01μF,16V	L3304		NQR0006-001X	FERRITE BEAD
C8038		NCBA1CK-103W	CAPACITOR,DVM90UM 0.01μF,16V	L3501		NQL04DK-220X	COIL 22μH
C8039		NCBA1CK-103W	CAPACITOR,DVM90UM 0.01μF,16V	L3502		NQL04DK-220X	COIL 22μH
C8040		NCBA1CK-103W	CAPACITOR,DVM90UM 0.01μF,16V	L3503		NQL302N-100X	COIL 10μH
C8041		NCBA1CK-103W	CAPACITOR,DVM90UM 0.01μF,16V	L3504		NQL302N-100X	COIL 10μH
C8042		NCBA1CK-103W	CAPACITOR,DVM90UM 0.01μF,16V	L3551		NQR0006-001X	FERRITE BEAD
C8043		NCBA1CK-103W	CAPACITOR,DVM90UM 0.01μF,16V	L3701		NQL302N-100X	COIL 10μH
C8044		NBE20GM-476X	T CAPACITOR,DVM90UM 47μF,4.0V	L3731		NQL085J-120X	COIL 12μH
C8045		NBE20JM-226X	T CAPACITOR,DVM90UM 22μF,6.3V	L3732		NQL085J-270X	COIL 27μH
C8046		NBE90JM-106X	T CAPACITOR,DVM90UM 10μF,6.3V	L4101		NQR0129-002X	FERRITE BEAD
C8048		NBE20GM-476X	T CAPACITOR,DVM90UM 47μF,4.0V	L4102		NQL045K-100X	COIL 10μH
C8049		NCBA1CK-103W	CAPACITOR,DVM90UM 0.01μF,16V	L4103		NQR0129-002X	FERRITE BEAD
C8050		NCBA1CK-103W	CAPACITOR,DVM90UM 0.01μF,16V	L4104		NQL045K-100X	COIL 10μH
C8051		NBE20GM-476X	T CAPACITOR,DVM90UM 47μF,4.0V	L4201		NQR0265-001X	FERRITE BEAD
C8052		NCBA1CK-103W	CAPACITOR,DVM90UM 0.01μF,16V	L4202		NQL402M-100X	COIL 10μH
C8054		NCB31HK-392X	CAPACITOR,DVM90UM 0.0039μF,50V	L4203		NQR0265-001X	FERRITE BEAD
C8056		NCBA1CK-103W	CAPACITOR,DVM90UM 0.01μF,16V	L4204		NQL402M-100X	COIL 10μH
C8057		NCBA1CK-103W	CAPACITOR,DVM90UM 0.01μF,16V	L4205		NQL402M-100X	COIL 10μH
C8058		NCBA1AK-104W	CAPACITOR,DVM90UM 0.1μF,10V	L4301		NQR0265-001X	FERRITE BEAD
C8059		NCBA1CK-103W	CAPACITOR,DVM90UM 0.01μF,16V	L4302		NQR0265-001X	FERRITE BEAD
C8060		NCBA1CK-103W	CAPACITOR,DVM90UM 0.01μF,16V	L4303		NQR0265-001X	FERRITE BEAD
C8101		NBE90JM-106X	T CAPACITOR,DVM90UM 10μF,6.3V	L4304		NQL045K-100X	COIL 10μH
C8102		NBE90JM-106X	T CAPACITOR,DVM90UM 10μF,6.3V	L4305		NQR0265-001X	FERRITE BEAD
C8103		NCBA1CK-103W	CAPACITOR,DVM90UM 0.01μF,16V	L4306		NQR0129-002X	FERRITE BEAD
C8104		NCBA1CK-103W	CAPACITOR,DVM90UM 0.01μF,16V	L4351		NQL402M-100X	COIL 10μH
C8105		NCBA1CK-103W	CAPACITOR,DVM90UM 0.01μF,16V	L4401		NQR0006-001X	FERRITE BEAD
C8106		NCBA1CK-103W	CAPACITOR,DVM90UM 0.01μF,16V	L5001		NQR0129-002X	FERRITE BEAD
C8107		NCBA1CK-103W	CAPACITOR,DVM90UM 0.01μF,16V	L5002		NQL045K-100X	COIL 10μH
C8108		NCBA1CK-103W	CAPACITOR,DVM90UM 0.01μF,16V	L5003		NQR0129-002X	FERRITE BEAD
C8109		NCBA1CK-103W	CAPACITOR,DVM90UM 0.01μF,16V	L5004		NQR0129-002X	FERRITE BEAD
C8110		NCBA1CK-103W	CAPACITOR,DVM90UM 0.01μF,16V	L5005		NQR0129-002X	FERRITE BEAD
C8111		NCBA1CK-103W	CAPACITOR,DVM90UM 0.01μF,16V	L5201		NQR0129-002X	FERRITE BEAD
C8112		NCBA1CK-103W	CAPACITOR,DVM90UM 0.01μF,16V	L5202		NQR0129-002X	FERRITE BEAD
C8113		NCBA1CK-103W	CAPACITOR,DVM90UM 0.01μF,16V	L5203		NQL045K-100X	COIL 10μH
C8114		NCBA1CK-103W	CAPACITOR,DVM90UM 0.01μF,16V	L5204		NQL045K-100X	COIL 10μH
C8115		NCBA1CK-103W	CAPACITOR,DVM90UM 0.01μF,16V	L6001		NQL402M-100X	COIL 10μH
C8116		NCBA1CK-103W	CAPACITOR,DVM90UM 0.01μF,16V	L6101		NQLZ011-4R7X	COIL 4.7μH
C8117		NDCA1HJ-5R0W	CAPACITOR,DVM90UM 5pF,50V	L6102		NQLZ011-4R7X	COIL 4.7μH
C8118		NDCA1HJ-5R0W	CAPACITOR,DVM90UM 5pF,50V	L6103		NQLZ011-4R7X	COIL 4.7μH
C8119		NCBA1CK-103W	CAPACITOR,DVM90UM 0.01μF,16V	L6104		NQL32CM-220X	COIL 22μH
L1001		NQR0265-001X	FERRITE BEAD	L6105		NQL32CM-220X	COIL 22μH
L1002		NQR0265-001X	FERRITE BEAD	L6106		NQL32CM-100X	COIL 10μH
L1003		NQL085J-390X	COIL 39μH	L6110		NQLZ011-390X	COIL 39μH

#	△ REF No.	PART No.	PART NAME, DESCRIPTION	
L6112		NQL32CM-220X	COIL	22μH
L6114		NQL32CM-220X	COIL	22μH
L6116		NQL32CM-100X	COIL	10μH
L6117		NQL35BK-100X	COIL	10μH
L6118		NQL35BK-100X	COIL	10μH
L6201		NQLZ011-221X	COIL	220μH
L6601		NQL402M-100X	COIL,DVM90UM	10μH
L8001		NQR0129-002X	FERRITE BEAD,DVM90UM	
L8002		NQR0129-002X	FERRITE BEAD,DVM90UM	
L8003		NQR0129-002X	FERRITE BEAD,DVM90UM	
L8005		NQR0129-002X	FERRITE BEAD,DVM90UM	
L8006		NQR0129-002X	FERRITE BEAD,DVM90UM	
L8007		NQR0129-002X	FERRITE BEAD,DVM90UM	
L8008		NQR0129-002X	FERRITE BEAD,DVM90UM	
L8010		NQR0129-002X	FERRITE BEAD,DVM90UM	
L8011		NQR0129-002X	FERRITE BEAD,DVM90UM	
L8101		NQR0006-001X	FERRITE BEAD,DVM90UM	
L8102		NQR0006-001X	FERRITE BEAD,DVM90UM	
X1001		NAX0279-001X	C OSCILLATOR	
X1002		NAX0267-001X	CRYSTAL RESONATOR	
X3001		NAX0206-001X	CRYSTAL RESONATOR	
X3301		NAX0296-001X	C OSCILLATOR	
X4301		NAX0332-001X	CXO	
X8002		NAX0354-001X	RESONATOR,DVM90UM	
X8101		NAX0402-001X	CRYSTAL RESONATOR,DVM90UM	
S1001		NSW0132-001X	DETECT SWITCH	
S1401		NSW0128-001X	LEVER SWITCH	
TB1		LY31799-001A	BATT.TERMINAL	
WR1		QAL0246-001	FPC,BATT.TERMINAL	
WR2		QAL0239-001	FPC,MAIN-JACK	
WR3		WJR0016-001C	E-SH C WIRE C-F,CCD OUT	
J101		NNZ0028-001	D CONNECTOR	
CN1001		QGF0513F1-08X	FPC CONNECTOR	
CN1002		QGB0401M1-80X	CONNECTOR	
CN1003		QGF0513F2-20X	FPC CONNECTOR	
CN1004		QGA1001F1-03X	CONNECTOR	
CN1005		QGF0513F2-06X	FPC CONNECTOR	
CN1007		QGF0301F1-45X	FPC CONNECTOR	
CN1008		QGF0507F1-16X	FPC CONNECTOR	
CN1009		QGA1001F1-02X	CONNECTOR	
CN1010		QGB0506L1-20X	CONNECTOR	
CN1011		QGF0513F1-12X	FPC CONNECTOR,DVM90UM	
CN1014		QGF0301F1-33X	FPC CONNECTOR	
CN1016		QGB0401M1-A0X	CONNECTOR	
△ F6101		NMFZ007-1R6X-K	FUSE	T1.6A
△ F6102		NMFZ007-R20X-K	FUSE	T0.2A
△ F6103		NMFZ007-1R6X-K	FUSE	T1.6A
△ F6104		NMFZ007-R50X-K	FUSE	T0.5A
SD1		LY31714-001A	SHIELD CASE	
OT1		LY30029-065B	SPACER(A)	
OT2		LY30029-066A	SPACER(A)	
OT3		LY42538-001A	SHEET(MAIN)	
OT4		LY30029-078A	SPACER(A),X2	
OT5		LY30029-0A7A	SPACER(A)	
OT6		LY30029-082A	SPACER(A)	
OT7		LY30029-0B3A	SPACER(A)	

#	△ REF No.	PART No.	PART NAME, DESCRIPTION

MMC BOARD ASSEMBLY <06>

PW3	YB10288A3-01	MMC BOARD ASSY,DVM90UM	
	YB10288B3-01	MMC BOARD ASSY,DVM80UM	
R8501	NRSA63J-103X	MG RESISTOR,DVM90UM	10kΩ,1/16W
R8502	NRSA63J-473X	MG RESISTOR,DVM90UM	47kΩ,1/16W
R8503	NRSA63J-103X	MG RESISTOR,DVM90UM	10kΩ,1/16W
R8504	NRSA63J-104X	MG RESISTOR	100kΩ,1/16W
R8505	NRSA63J-0R0X	MG RESISTOR,DVM80UM	0Ω,1/16W
	NRSA63J-153X	MG RESISTOR,DVM90UM	15kΩ,1/16W
R8506	NRSA63J-183X	MG RESISTOR,DVM90UM	18kΩ,1/16W
	NRSA63J-333X	MG RESISTOR,DVM80UM	33kΩ,1/16W
R8507	NRSA63J-103X	MG RESISTOR,DVM90UM	10kΩ,1/16W
R8508	NRSA63J-103X	MG RESISTOR,DVM90UM	10kΩ,1/16W
R8511	NRSA63J-0R0X	MG RESISTOR,DVM90UM	0Ω,1/16W
R8512	NRSA63J-0R0X	MG RESISTOR,DVM90UM	0Ω,1/16W
R8513	NRSA63J-0R0X	MG RESISTOR,DVM90UM	0Ω,1/16W
R8515	NRSA63J-0R0X	MG RESISTOR,DVM90UM	0Ω,1/16W
R8516	NRSA63J-0R0X	MG RESISTOR,DVM90UM	0Ω,1/16W
R8517	NRSA63J-0R0X	MG RESISTOR,DVM90UM	0Ω,1/16W
C8501	NBE20JM-106X	T CAPACITOR,DVM90UM	10μF,6.3V
L8501	NQR0129-002X	FERRITE BEAD,DVM90UM	
BT8501	QAB0020-001	LI BATTERY	
CN601	QGF0505F1-14X	FPC CONNECTOR	
CN602	QGF0505F1-06X	FPC CONNECTOR	
CN604	NNZ0035-001X	MMC CONNECTOR,DVM90UM	

AUDIO VF BOARD ASSEMBLY <08>

PW1	YB10285B2-02	AUDIO VF BOARD ASSY,DVM90UM	
	YB10285C2-02	AUDIO VF BOARD ASSY,DVM80UM	
IC2101	AK4550VT	IC	
IC2102	AK4550VT	IC,DVM90UM	
IC2103	JCY0137	IC	
IC2201	LA74202W	IC	
IC2301	NJM2100V	IC,DVM90UM	
IC2302	NJM2100V	IC,DVM90UM	
Q2101	2SC5585	TRANSISTOR	
Q2102	2SC5585	TRANSISTOR	
Q2201	2SC4617/QR/-X	TRANSISTOR	
Q2301	2SC4617/QR/-X	TRANSISTOR,DVM90UM	
Q2401	2SC4617/QR/-X	TRANSISTOR	
Q2403	2SD1511/R/-X	TRANSISTOR	
Q2602	NRSA6AJ-563W	MG RESISTOR	56kΩ,1/16W
	or NRVA6AD-563W	CMF RESISTOR	56kΩ,1/16W
Q2603	2SC4617/QR/-X	TRANSISTOR	
Q2604	2SC4617/QR/-X	TRANSISTOR	
Q2755	UMX1N	PAIR TRANSISTOR	
Q7401	UMZ1N	PAIR TRANSISTOR	
D2001	TLSU1002/LM/-X	LE DIODE	
D2751	DAN222	DIODE	
R2001	NRSA6AJ-471W	MG RESISTOR	470Ω,1/16W
R2002	NRVA6AD-103W	CMF RESISTOR	10kΩ,1/16W
R2003	NRVA6AD-152W	CMF RESISTOR	1.5kΩ,1/16W
R2004	NRVA6AD-182W	CMF RESISTOR	1.8kΩ,1/16W

#	△ REF No.	PART No.	PART NAME, DESCRIPTION	#	△ REF No.	PART No.	PART NAME, DESCRIPTION
R2005		NRVA6AD-272W	CMF RESISTOR 2.7kΩ,1/16W	R2326		NRSA6AJ-104W	MG RESISTOR,DVM90UM 100kΩ,1/16W
R2101		NRSA6AJ-471W	MG RESISTOR 470Ω,1/16W	R2327		NRSA6AJ-102W	MG RESISTOR,DVM90UM 1kΩ,1/16W
R2102		NRSA6AJ-471W	MG RESISTOR 470Ω,1/16W	R2328		NRSA6AJ-103W	MG RESISTOR,DVM90UM 10kΩ,1/16W
R2103		NRSA6AJ-0R0W	MG RESISTOR 0Ω,1/16W	R2329		NRSA63J-0R0X	MG RESISTOR,DVM90UM 0Ω,1/16W
R2104		NRSA6AJ-0R0W	MG RESISTOR 0Ω,1/16W	R2330		NRSA63J-0R0X	MG RESISTOR,DVM90UM 0Ω,1/16W
R2105		NRSA6AJ-0R0W	MG RESISTOR 0Ω,1/16W	R2333		NRSA6AJ-0R0W	MG RESISTOR,DVM90UM 0Ω,1/16W
R2111		NRSA6AJ-471W	MG RESISTOR,DVM90UM 470Ω,1/16W	R2334		NRSA6AJ-0R0W	MG RESISTOR,DVM90UM 0Ω,1/16W
R2112		NRSA6AJ-471W	MG RESISTOR,DVM90UM 470Ω,1/16W	R2401		NRSA6AJ-103W	MG RESISTOR 10kΩ,1/16W
R2113		NRSA6AJ-0R0W	MG RESISTOR,DVM90UM 0Ω,1/16W	R2402		NRSA6AJ-473W	MG RESISTOR 47kΩ,1/16W
R2114		NRSA6AJ-0R0W	MG RESISTOR,DVM90UM 0Ω,1/16W	R2412		NRSA6AJ-153W	MG RESISTOR 15kΩ,1/16W
R2117		NRSA6AJ-0R0W	MG RESISTOR 0Ω,1/16W	R2413		NRSA6AJ-103W	MG RESISTOR 10kΩ,1/16W
R2118		NRSA6AJ-103W	MG RESISTOR 10kΩ,1/16W	R2415		NRSA6AJ-560W	MG RESISTOR 56Ω,1/16W
R2119		NRSA6AJ-103W	MG RESISTOR 10kΩ,1/16W	R2429		NRSA6AJ-0R0W	MG RESISTOR 0Ω,1/16W
R2120		NRSA6AJ-332W	MG RESISTOR 3.3kΩ,1/16W	R2601		NRSA6AJ-182W	MG RESISTOR 1.8kΩ,1/16W
R2121		NRSA6AJ-564W	MG RESISTOR,DVM90UM 560kΩ,1/16W	R2602		NRSA6AJ-182W	MG RESISTOR 1.8kΩ,1/16W
R2122		NRSA6AJ-564W	MG RESISTOR,DVM90UM 560kΩ,1/16W	R2603		NRSA6AJ-123W	MG RESISTOR 12kΩ,1/16W
R2131		NRSA6AJ-100W	MG RESISTOR 10Ω,1/16W	R2604		NRSA6AJ-123W	MG RESISTOR 12kΩ,1/16W
R2132		NRSA6AJ-100W	MG RESISTOR 10Ω,1/16W	R2609		NRSA6AJ-332W	MG RESISTOR 3.3kΩ,1/16W
R2133		NRSA6AJ-100W	MG RESISTOR 10Ω,1/16W	R2610		NRSA6AJ-332W	MG RESISTOR 3.3kΩ,1/16W
R2134		NRSA6AJ-0R0W	MG RESISTOR 0Ω,1/16W	R2613		NRSA6AJ-472W	MG RESISTOR 4.7kΩ,1/16W
R2135		NRSA6AJ-0R0W	MG RESISTOR 0Ω,1/16W	R2614		NRSA6AJ-472W	MG RESISTOR 4.7kΩ,1/16W
R2136		NRSA6AJ-0R0W	MG RESISTOR 0Ω,1/16W	R2615		NRSA6AJ-682W	MG RESISTOR 6.8kΩ,1/16W
R2137		NRSA6AJ-0R0W	MG RESISTOR 0Ω,1/16W	R2616		NRSA6AJ-682W	MG RESISTOR 6.8kΩ,1/16W
R2138		NRSA6AJ-0R0W	MG RESISTOR 0Ω,1/16W	R2619		NRSA6AJ-472W	MG RESISTOR 4.7kΩ,1/16W
R2139		NRSA6AJ-0R0W	MG RESISTOR 0Ω,1/16W	R2620		NRSA6AJ-472W	MG RESISTOR 4.7kΩ,1/16W
R2141		NRSA6AJ-0R0W	MG RESISTOR 0Ω,1/16W	R2621		NRSA6AJ-472W	MG RESISTOR 4.7kΩ,1/16W
R2202		NRSA6AJ-472W	MG RESISTOR 4.7kΩ,1/16W	R2622		NRSA6AJ-472W	MG RESISTOR 4.7kΩ,1/16W
R2203		NRSA6AJ-2R7W	MG RESISTOR 2.7Ω,1/16W	R2623		NRSA6AJ-5R6W	MG RESISTOR 5.6Ω,1/16W
R2204		NRSA6AJ-2R7W	MG RESISTOR 2.7Ω,1/16W	R2624		NRSA6AJ-5R6W	MG RESISTOR 5.6Ω,1/16W
R2205		NRSA6AJ-823W	MG RESISTOR 82kΩ,1/16W	R2627		NRSA6AJ-0R0W	MG RESISTOR 0Ω,1/16W
R2206		NRSA6AJ-472W	MG RESISTOR 4.7kΩ,1/16W	R2628		NRSA6AJ-0R0W	MG RESISTOR 0Ω,1/16W
R2208		NRSA6AJ-392W	MG RESISTOR 3.9kΩ,1/16W	R2629		NRSA6AJ-333W	MG RESISTOR 33kΩ,1/16W
R2210		NRSA6AJ-332W	MG RESISTOR 3.3kΩ,1/16W	R2630		NRSA6AJ-333W	MG RESISTOR 33kΩ,1/16W
R2220		NRSA6AJ-102W	MG RESISTOR 1kΩ,1/16W	R2631		NRSA6AJ-153W	MG RESISTOR 15kΩ,1/16W
R2221		NRSA6AJ-102W	MG RESISTOR 1kΩ,1/16W	R2632		NRSA6AJ-153W	MG RESISTOR 15kΩ,1/16W
R2224		NRSA6AJ-222W	MG RESISTOR 2.2kΩ,1/16W	R2633		NRSA6AJ-153W	MG RESISTOR 15kΩ,1/16W
R2228		NRSA6AJ-103W	MG RESISTOR 10kΩ,1/16W	R2634		NRSA6AJ-153W	MG RESISTOR 15kΩ,1/16W
R2229		NRSA6AJ-0R0W	MG RESISTOR 0Ω,1/16W	R2635		NRSA6AJ-0R0W	MG RESISTOR,DVM80UM 0Ω,1/16W
R2234		NRSA6AJ-332W	MG RESISTOR 3.3kΩ,1/16W	R2636		NRSA6AJ-0R0W	MG RESISTOR,DVM80UM 0Ω,1/16W
R2301		NRSA6AJ-560W	MG RESISTOR,DVM90UM 56Ω,1/16W	R2640		NRSA6AJ-182W	MG RESISTOR 1.8kΩ,1/16W
R2302		NRSA6AJ-560W	MG RESISTOR,DVM90UM 56Ω,1/16W	R2641		NRSA6AJ-182W	MG RESISTOR 1.8kΩ,1/16W
R2303		NRSA6AJ-0R0W	MG RESISTOR,DVM90UM 0Ω,1/16W	R2642		NRSA6AJ-102W	MG RESISTOR 1kΩ,1/16W
R2305		NRSA6AJ-183W	MG RESISTOR,DVM90UM 18kΩ,1/16W	R2643		NRSA6AJ-473W	MG RESISTOR 47kΩ,1/16W
R2306		NRSA6AJ-473W	MG RESISTOR,DVM90UM 47kΩ,1/16W	R2715		NRSA6AJ-0R0W	MG RESISTOR 0Ω,1/16W
R2307		NRSA6AJ-183W	MG RESISTOR,DVM90UM 18kΩ,1/16W	R2756		NRSA6AJ-332W	MG RESISTOR 3.3kΩ,1/16W
R2309		NRSA6AJ-184W	MG RESISTOR,DVM90UM 180kΩ,1/16W	R2757		NRSA6AJ-564W	MG RESISTOR 560kΩ,1/16W
R2310		NRSA6AJ-393W	MG RESISTOR,DVM90UM 39kΩ,1/16W	R2758		NRSA6AJ-564W	MG RESISTOR 560kΩ,1/16W
R2311		NRSA6AJ-473W	MG RESISTOR,DVM90UM 47kΩ,1/16W	R2759		NRSA6AJ-821W	MG RESISTOR 820Ω,1/16W
R2312		NRSA6AJ-183W	MG RESISTOR,DVM90UM 18kΩ,1/16W	R2760		NRSA6AJ-821W	MG RESISTOR 820Ω,1/16W
R2314		NRSA6AJ-183W	MG RESISTOR,DVM90UM 18kΩ,1/16W	R2775		NRSA6AJ-223W	MG RESISTOR,DVM90UM 22kΩ,1/16W
R2315		NRSA6AJ-393W	MG RESISTOR,DVM90UM 39kΩ,1/16W	R2776		NRSA6AJ-223W	MG RESISTOR,DVM90UM 22kΩ,1/16W
R2316		NRSA6AJ-184W	MG RESISTOR,DVM90UM 180kΩ,1/16W	R2777		NRSA6AJ-103W	MG RESISTOR,DVM90UM 10kΩ,1/16W
R2317		NRSA6AJ-104W	MG RESISTOR,DVM90UM 100kΩ,1/16W	R2778		NRSA6AJ-103W	MG RESISTOR,DVM90UM 10kΩ,1/16W
R2318		NRSA6AJ-104W	MG RESISTOR,DVM90UM 100kΩ,1/16W	R7427		NRSA6AJ-0R0W	MG RESISTOR 0Ω,1/16W
R2319		NRSA6AJ-104W	MG RESISTOR,DVM90UM 100kΩ,1/16W	R7428		NRSA6AJ-0R0W	MG RESISTOR 0Ω,1/16W
R2320		NRSA6AJ-104W	MG RESISTOR,DVM90UM 100kΩ,1/16W	R7429		NRSA6AJ-0R0W	MG RESISTOR 0Ω,1/16W
R2321		NRSA6AJ-104W	MG RESISTOR,DVM90UM 100kΩ,1/16W	R7430		NRSA6AJ-0R0W	MG RESISTOR 0Ω,1/16W
R2322		NRSA6AJ-104W	MG RESISTOR,DVM90UM 100kΩ,1/16W	R7442		NRVA6AD-183W	CMF RESISTOR 18kΩ,1/16W
R2323		NRSA6AJ-104W	MG RESISTOR,DVM90UM 100kΩ,1/16W	R7443		NRSA6AJ-334W	MG RESISTOR 330kΩ,1/16W
R2324		NRSA6AJ-104W	MG RESISTOR,DVM90UM 100kΩ,1/16W	R7444		NRSA6AJ-224W	MG RESISTOR 220kΩ,1/16W
R2325		NRSA6AJ-104W	MG RESISTOR,DVM90UM 100kΩ,1/16W	R7445		NRSA6AJ-393W	MG RESISTOR 39kΩ,1/16W

#	△ REF No.	PART No.	PART NAME, DESCRIPTION	#	△ REF No.	PART No.	PART NAME, DESCRIPTION
C2101		NCB30JK-105X	CAPACITOR 1μF,6.3V	C2611		NCB31CK-333X	CAPACITOR 0.033μF,16V
C2102		NCB30JK-105X	CAPACITOR 1μF,6.3V	C2612		NCB31CK-333X	CAPACITOR 0.033μF,16V
C2103		NCBA1HK-222W	CAPACITOR 0.0022μF,50V	C2613		NCBA1HK-332W	CAPACITOR 0.0033μF,50V
C2104		NCBA1HK-222W	CAPACITOR 0.0022μF,50V	C2614		NCBA1HK-332W	CAPACITOR 0.0033μF,50V
C2105		NBE90JM-475X	T CAPACITOR 4.7μF,6.3V	C2617		NCB31CK-273X	CAPACITOR 0.027μF,16V
C2106		NCB31CK-104X	CAPACITOR 0.1μF,16V	C2618		NCB31CK-273X	CAPACITOR 0.027μF,16V
C2107		NCB31CK-104X	CAPACITOR 0.1μF,16V	C2621		NBE90JM-475X	T CAPACITOR 4.7μF,6.3V
C2108		NBE90JM-106X	T CAPACITOR 10μF,6.3V	C2622		NBE90JM-475X	T CAPACITOR 4.7μF,6.3V
C2111		NCB30JK-105X	CAPACITOR,DVM90UM 1μF,6.3V	C2625		NCB31CK-104X	CAPACITOR 0.1μF,16V
C2112		NCB30JK-105X	CAPACITOR,DVM90UM 1μF,6.3V	C2626		NCB31CK-104X	CAPACITOR 0.1μF,16V
C2113		NCBA1HK-222W	CAPACITOR,DVM90UM 0.0022μF,50V	C2627		NCBA1HK-102W	CAPACITOR 0.001μF,50V
C2114		NCBA1HK-222W	CAPACITOR,DVM90UM 0.0022μF,50V	C2628		NCBA1HK-102W	CAPACITOR 0.001μF,50V
C2115		NBE90JM-475X	T CAPACITOR,DVM90UM 4.7μF,6.3V	C2629		NBE20GM-336X	T CAPACITOR 33μF,4.0V
C2116		NCB31CK-104X	CAPACITOR,DVM90UM 0.1μF,16V	C2631		NCB31EK-103X	CAPACITOR 0.01μF,25V
C2117		NCB31CK-104X	CAPACITOR,DVM90UM 0.1μF,16V	C2632		NCB31EK-103X	CAPACITOR 0.01μF,25V
C2118		NBE90JM-106X	T CAPACITOR,DVM90UM 10μF,6.3V	C2635		NCB30JK-105X	CAPACITOR 1μF,6.3V
C2119		NCB31CK-104X	CAPACITOR,DVM90UM 0.1μF,16V	C2636		NCB30JK-105X	CAPACITOR 1μF,6.3V
C2120		NCB31CK-104X	CAPACITOR,DVM90UM 0.1μF,16V	C2639		NCB31CK-104X	CAPACITOR 0.1μF,16V
C2131		NBE90JM-106X	T CAPACITOR 10μF,6.3V	C2640		NCB31CK-104X	CAPACITOR 0.1μF,16V
C2132		NCB31CK-104X	CAPACITOR 0.1μF,16V	C2702		NBE90GM-226X	T CAPACITOR 22μF,4.0V
C2134		NDCA1HJ-101W	CAPACITOR 100pF,50V	C2703		NBE90GM-226X	T CAPACITOR 22μF,4.0V
C2136		NDCA1HJ-101W	CAPACITOR 100pF,50V	C2753		NCB20JK-225X	CAPACITOR 2.2μF,6.3V
C2137		NDCA1HJ-101W	CAPACITOR 100pF,50V	C2754		NCB20JK-225X	CAPACITOR 2.2μF,6.3V
C2203		NBE90JM-475X	T CAPACITOR 4.7μF,6.3V	C2764		NCB20JK-225X	CAPACITOR 2.2μF,6.3V
C2204		NBE90JM-106X	T CAPACITOR 10μF,6.3V	C2765		NCB20JK-225X	CAPACITOR 2.2μF,6.3V
C2207		NCBA1AK-104W	CAPACITOR 0.1μF,10V	C2768		NRSA63J-0R0X	MG RESISTOR 0Ω,1/16W
C2208		NCBA1AK-104W	CAPACITOR 0.1μF,10V	C2769		NRSA63J-0R0X	MG RESISTOR 0Ω,1/16W
C2210		NBE40JM-476X	T CAPACITOR 47μF,6.3V	C7427		NBP41DM-106X	T CAPACITOR 10μF,20V
C2211		NBE40JM-476X	T CAPACITOR 47μF,6.3V	C7428		NCB21CK-105X	CAPACITOR 1μF,16V
C2212		NBE90JM-106X	T CAPACITOR 10μF,6.3V	C7429		NBE21AM-106X	T CAPACITOR 10μF,10V
C2214		NCB31CK-104X	CAPACITOR 0.1μF,16V	C7431		NBE20JM-106X	T CAPACITOR 10μF,6.3V
C2215		NCB31CK-104X	CAPACITOR 0.1μF,16V	L2101		NQL402M-100X	COIL 10μH
C2216		NCBA1CK-103W	CAPACITOR 0.01μF,16V	L2102		NQL402M-100X	COIL,DVM90UM 10μH
C2217		NCBA1AK-104W	CAPACITOR 0.1μF,10V	L2131		NQL402M-100X	COIL 10μH
C2220		NCB30JK-105X	CAPACITOR 1μF,6.3V	L2601		NRSA63J-0R0X	MG RESISTOR 0Ω,1/16W
C2221		NCB30JK-105X	CAPACITOR 1μF,6.3V	L2602		NRSA63J-0R0X	MG RESISTOR 0Ω,1/16W
C2224		NCBA1AK-104W	CAPACITOR 0.1μF,10V	L2603		NRSA63J-0R0X	MG RESISTOR 0Ω,1/16W
C2227		NCB21CK-105X	CAPACITOR 1μF,16V	L2604		NRSA63J-0R0X	MG RESISTOR 0Ω,1/16W
C2230		NCB31CK-104X	CAPACITOR 0.1μF,16V	L7403		NQL045K-100X	COIL 10μH
C2301		NBE90JM-106X	T CAPACITOR,DVM90UM 10μF,6.3V	L7404		NQL045K-100X	COIL 10μH
C2303		NCB30JK-105X	CAPACITOR,DVM90UM 1μF,6.3V	S7001		NSW0129-001X	PUSH SWITCH
C2304		NCB30JK-105X	CAPACITOR,DVM90UM 1μF,6.3V	CN801		QGB0401L1-A0X	CONNECTOR
C2305		NCB30JK-105X	CAPACITOR,DVM90UM 1μF,6.3V	CN802		QGF0517F2-12X	FPC CONNECTOR
C2306		NCB30JK-105X	CAPACITOR,DVM90UM 1μF,6.3V	CN803		QGF0517F1-06X	FPC CONNECTOR
C2307		NCB30JK-105X	CAPACITOR,DVM90UM 1μF,6.3V	CN804		QGA1001F1-05X	CONNECTOR
C2308		NCB30JK-105X	CAPACITOR,DVM90UM 1μF,6.3V	CN805		QGF0507F1-20X	FPC CONNECTOR
C2309		NCB30JK-105X	CAPACITOR,DVM90UM 1μF,6.3V	OT1		LY42535-001A	SHEET(AUD.PWB)
C2310		NCB30JK-105X	CAPACITOR,DVM90UM 1μF,6.3V	OT2		LY42775-001A	S.SHEET(AU/VF)
C2311		NCB31CK-104X	CAPACITOR,DVM90UM 0.1μF,16V				
C2312		NCB30JK-105X	CAPACITOR,DVM90UM 1μF,6.3V				
C2313		NCB30JK-105X	CAPACITOR,DVM90UM 1μF,6.3V				
C2314		NCB30JK-105X	CAPACITOR,DVM90UM 1μF,6.3V				
C2315		NCB31CK-104X	CAPACITOR,DVM90UM 0.1μF,16V				
C2316		NCB31CK-104X	CAPACITOR,DVM90UM 0.1μF,16V				
C2402		NBE90JM-106X	T CAPACITOR 10μF,6.3V				
C2412		NBE40JM-476X	T CAPACITOR 47μF,6.3V				
C2413		NBE40JM-476X	T CAPACITOR 47μF,6.3V				
C2603		NCB31EK-472X	CAPACITOR 0.0047μF,25V				
C2604		NCB31EK-472X	CAPACITOR 0.0047μF,25V				
C2605		NCBA1HK-152W	CAPACITOR 0.0015μF,50V				
C2606		NCBA1HK-152W	CAPACITOR 0.0015μF,50V				